

PARTS LIST
PUMPS
SLC4 - SLC8

Keep this parts lists with Installation, Operation and Maintenance Instructions.

To order the required spare parts, indicate the desired Reference(s).

- ◆ Sets of parts or parts available to order.

BMS : Bellows monitoring system

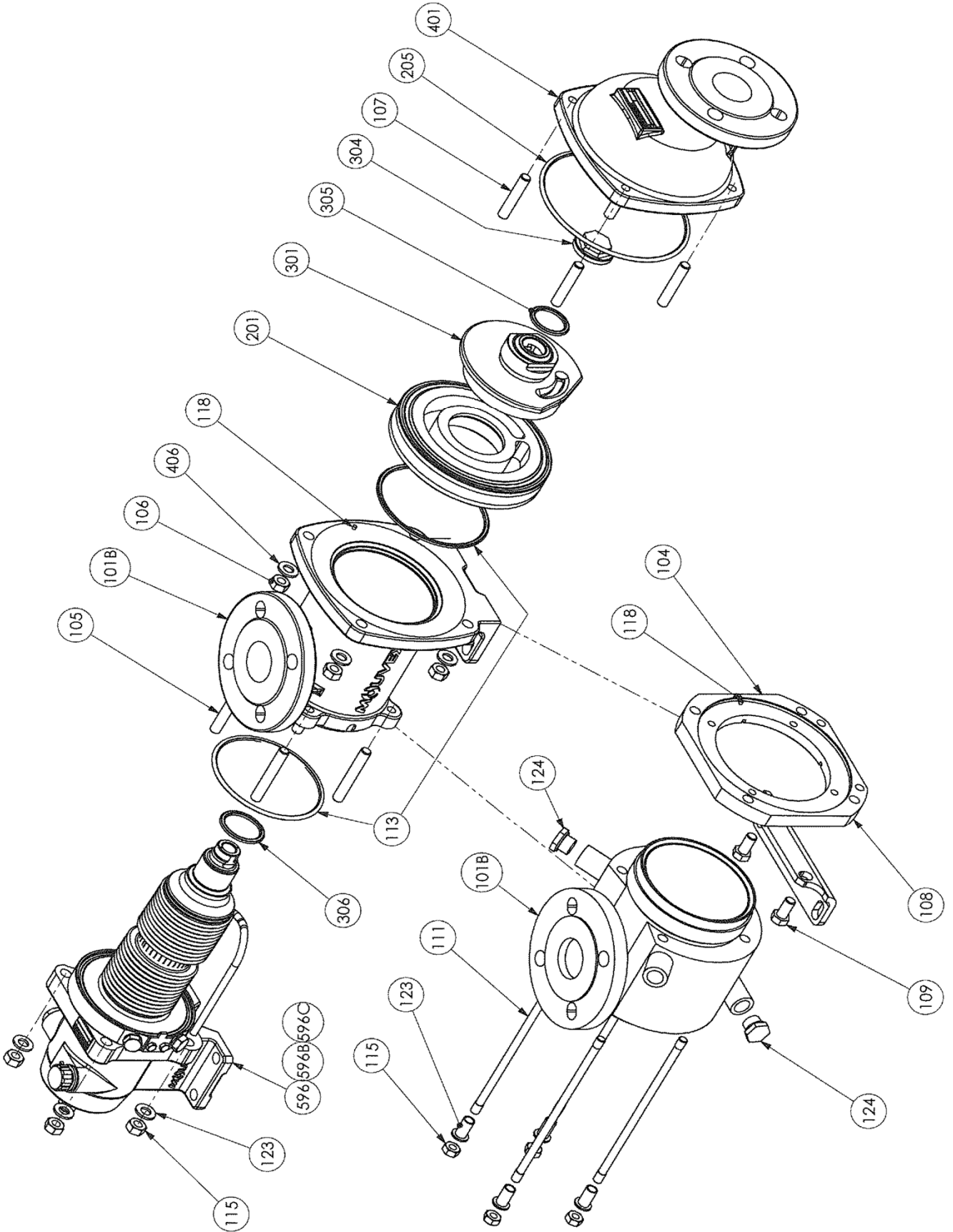
CVT : FEP encapsulated FKM

Z.I. la Plaine des Isles - 2 rue des Caillottes F-89000 AUXERRE - France

Tel : +33 (0)3 86 49 86 30 • Fax : +33 (0)3 86 49 87 17

contact@mouvex.com • www.mouvex.com

SLC4 - SLC8



SLC4

* 1, 2, 4... : Quantity in equipment - (1), (2), (4)... : Quantity in kit

Item	Available	Description	Qty*	Ref.	Maintenance kit	Wear part
8	◆	PLUGS SET	1	316251.00		
715		BREATHER	(1)			●
751		PLUG	(1)			
772		PLUG	(1)			
773		PLUG	(1)			
774		SEAL	(1)			●
9	◆	BEARING GASKETS _ RING SET _ CIRCLIPS	1	316243.00		
507		RING	(1)			●
516		CIRCLIPS	(1)			
518		SEAL	(1)			●
608		LIP SEAL	(1)			●
608A		LIP SEAL	(1)			●
610		CIRCLIPS	(1)			
733		O-RING	(1)			●
100	◆	INLET MANIFOLD FLANGE PN16 PN20 DN50 SLC 4-8	1	316258.00		
101B		MAIN BODY	(1)			
118		PIN	(1)			
100	◆	JACKETED INLET MANIFOLD FLANGE PN16 PN20 DN50 SLC 4-8	1	316225.00		
101B		MAIN BODY	(1)			
104		MAIN BODY FLANGE	(1)			
108		SUPPORT FOOT	(1)			
109		SCREW	(2)			
117		PIN	(1)			
118		PIN	(1)			
124		PLUG	(2)			
119	◆	SCREWS SET SLC 4	1	316256.00		
119	◆	SCREWS SET SLS 4 SLC 4 HEATING JACKET	1	316254.00		
105		STUD (EXCEPT HEATING JACKET)	(4)			
106		NUT	(4)			
107		STUD	(4)			
111		STUD (HEATING JACKET ONLY)	(4)			
115		NUT	(4)			
123		WASHER	(4)			
406		WASHER	(4)			
200	◆	SET CYLINDER_PISTON SL 4	1	316239.00	■	
201		CYLINDER	(1)			●
301		PISTON	(1)			●
304	◆	PISTON SCREW	1	229316		●
206	◆	SET OF CVT 'O' RING SEALS SL 4-8	1	316242.00	■	
206	◆	SET OF FKM 'O' RING SEALS SL 4-8	1	316241.00	■	
113		SEAL	(2)			●
205		SEAL	(1)			●
305		SEAL	(1)			●
306		SEAL	(1)			●
401	◆	FRONT COVER SLC 4-8	1	229214		
596	◆	COMPLETE TRANSMISSION WITHOUT BMS	1	316195.00	■	●
596	◆	COMPLETE TRANSMISSION WITHOUT BMS - PUMP WITH HEATING JACKET	1	316202.00	■	●
596B*	◆	COMPLETE TRANSMISSION WITH BMS - ATEX LEFT	1	316199.00	■	●
596B*	◆	COMPLETE TRANSMISSION WITH BMS - ATEX LEFT - PUMP WITH HEATING JACKET	1	316208.00	■	●
596B*	◆	COMPLETE TRANSMISSION WITH BMS - LEFT	1	316197.00	■	●
596B*	◆	COMPLETE TRANSMISSION WITH BMS - LEFT - PUMP WITH HEATING JACKET	1	316205.00	■	●
596C*	◆	COMPLETE TRANSMISSION WITH BMS - ATEX RIGHT	1	316198.00	■	●
596C*	◆	COMPLETE TRANSMISSION WITH BMS - ATEX RIGHT - PUMP WITH HEATING JACKET	1	316206.00	■	●
596C*	◆	COMPLETE TRANSMISSION WITH BMS - RIGHT	1	316196.00	■	●
596C*	◆	COMPLETE TRANSMISSION WITH BMS - RIGHT - PUMP WITH HEATING JACKET	1	316204.00	■	●

* Looking at pump from drive side

SLC8

* 1, 2, 4... : Quantity in equipment - (1), (2), (4)... : Quantity in kit

Item	Available	Description	Qty*	Ref.	Maintenance kit	Wear part
8	◆	PLUGS SET	1	316251.00		
715		BREATHER	(1)			●
751		PLUG	(1)			
772		PLUG	(1)			
773		PLUG	(1)			
774		SEAL	(1)			●
9	◆	BEARING GASKETS _ RING SET _ CIRCLIPS	1	316243.00		
507		RING	(1)			●
516		CIRCLIPS	(1)			
518		SEAL	(1)			●
608		LIP SEAL	(1)			●
608A		LIP SEAL	(1)			●
610		CIRCLIPS	(1)			
733		O-RING	(1)			●
100	◆	INLET MANIFOLD FLANGE PN16 PN20 DN50 SLC 4-8	1	316258.00		
101B		MAIN BODY	(1)			
118		PIN	(1)			
100	◆	JACKETED INLET MANIFOLD FLANGE PN16 PN20 DN50 SLC 4-8	1	316225.00		
101B		MAIN BODY	(1)			
104		MAIN BODY FLANGE	(1)			
108		SUPPORT FOOT	(1)			
109		SCREW	(2)			
117		PIN	(1)			
118		PIN	(1)			
124		PLUG	(2)			
119	◆	SCREWS SET SLC 8	1	316257.00		
119	◆	SCREWS SET SLS 8 SLC 8 HEATING JACKET	1	316255.00		
105		STUD (EXCEPT HEATING JACKET)	(4)			
106		NUT	(4)			
107		STUD	(4)			
111		STUD (HEATING JACKET ONLY)	(4)			
115		NUT	(4)			
123		WASHER	(4)			
406		WASHER	(4)			
200	◆	SET CYLINDER_PISTON SL 8	1	316240.00	■	
201		CYLINDER	(1)			●
301		PISTON	(1)			●
304	◆	PISTON SCREW	1	229316		●
206	◆	SET OF CVT 'O' RING SEALS SL 4-8	1	316242.00	■	
206	◆	SET OF FKM 'O' RING SEALS SL 4-8	1	316241.00	■	
113		SEAL	(2)			●
205		SEAL	(1)			●
305		SEAL	(1)			●
306		SEAL	(1)			●
401	◆	FRONT COVER SLC 4-8	1	229214		
596	◆	COMPLETE TRANSMISSION WITHOUT BMS	1	316195.00	■	●
596	◆	COMPLETE TRANSMISSION WITHOUT BMS - PUMP WITH HEATING JACKET	1	316202.00	■	●
596B*	◆	COMPLETE TRANSMISSION WITH BMS - ATEX LEFT	1	316199.00	■	●
596B*	◆	COMPLETE TRANSMISSION WITH BMS - ATEX LEFT - PUMP WITH HEATING JACKET	1	316208.00	■	●
596B*	◆	COMPLETE TRANSMISSION WITH BMS - LEFT	1	316197.00	■	●
596B*	◆	COMPLETE TRANSMISSION WITH BMS - LEFT - PUMP WITH HEATING JACKET	1	316205.00	■	●
596C*	◆	COMPLETE TRANSMISSION WITH BMS - ATEX RIGHT	1	316198.00	■	●
596C*	◆	COMPLETE TRANSMISSION WITH BMS - ATEX RIGHT - PUMP WITH HEATING JACKET	1	316206.00	■	●
596C*	◆	COMPLETE TRANSMISSION WITH BMS - RIGHT	1	316196.00	■	●
596C*	◆	COMPLETE TRANSMISSION WITH BMS - RIGHT - PUMP WITH HEATING JACKET	1	316204.00	■	●

* Looking at pump from drive side