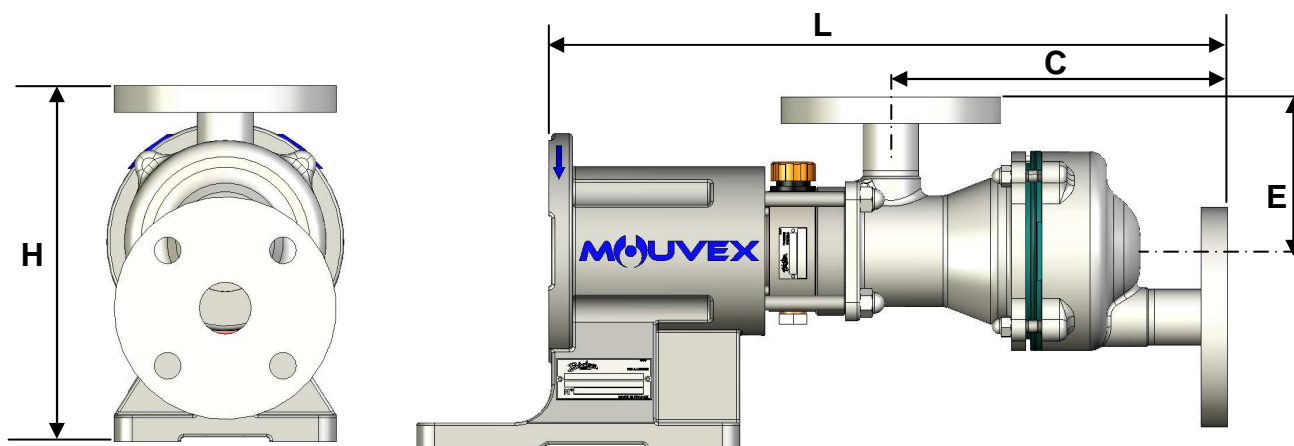


**CHARACTERISTICS**

		STANDARD	AVAILABLE OPTIONS
<b>Technology</b>		Eccentric Disc Mouvex®	
<b>Maximum Flow rate at 1 cst (l/h / GPM)</b>		3000 / 13.2	
<b>Cubic capacity (l / cu.in)</b>		0.051 / 3.1122	
<b>Inlet chamber volume (l / cu.in)</b>		0,43 / 26.2	
<b>Outlet chamber volume (l / cu.in)</b>		0,16 / 9.8	
<b>Ports</b>		DN 40 ISO PN16 flanges	ISO PN20 flanges
<b>Pump heating</b>		None	Heating jacket
<b>Motor Flange</b>		IEC FT130-B34	NEMA145TC, Foot bracket
<b>Dimensions (mm / in.) (With ISO PN16 flanges)</b>	<b>L</b>	459.5 / 18.091	
	<b>H</b>	240 / 9.449	
	<b>C</b>	229.5 / 9.035	
	<b>E</b>	105 / 4.134	
<b>Weight (kg / lbs)</b>		23 / 51	



**OPERATING LIMITS**

	STANDARD MATERIALS
Minimum temperature °C /°F	-15 / 5
Maximum temperature °C /°F	Process: 110 / 230 Washing / Rinsing / Sterilisation : 121 / 250
Maximum viscosity (cst / SSU)	10000 (46350)
Maximum differential pressure (bar / psi)	6 / 87
Maximum inlet pressure (bar g/psig)	1.5 / 21.7
Maximum speed (rpm)	1000
Maximum solid particle size (mm/in)	2 / 0.079
Maximum soft particle size (mm/in)	4 / 0.157

**MATERIALS OF CONSTRUCTION**

Part No	PART NAME	STANDARD MATERIALS	AVAILABLE OPTIONS
100	Inlet Tube	316L Stainless Steel (low carbon)	
201	Cylinder	316L Stainless Steel (low carbon)	
301	Disc	Acteon (A494/A494M)	
309	Disc Nut	316Ti Stainless Steel (Titanium Alloy)	
400	Outlet Cover	316L Stainless Steel (low carbon)	
	Bolts	316L Stainless Steel (low carbon)	
781	Adaptor Flange	Cast Iron	
596	<b>Transmission Assembly</b>		
	Bearings	Ball / Roller / Needle	
	Bellows Assembly	316Ti & 316 L Stainless Fabrication	
	Housing	316L Stainless Steel	
	Screws	Steel	
	Transmission Lubricant	Synthetic oil	
	Seal Rings	Fluorocarbon (FKM) O-Rings	PTFE Encapsulated O-rings

