

PARTS LIST
PUMPS
SLC1 - SLC2 - SLC3

Keep this parts lists with Installation, Operation and Maintenance Instructions.

To order the required spare parts, indicate the desired Reference(s).

- ◆ Sets of parts or parts available to order.

BMS : Bellows monitoring system

C1 / C2 interchangeable main body or front cover : Consult us.

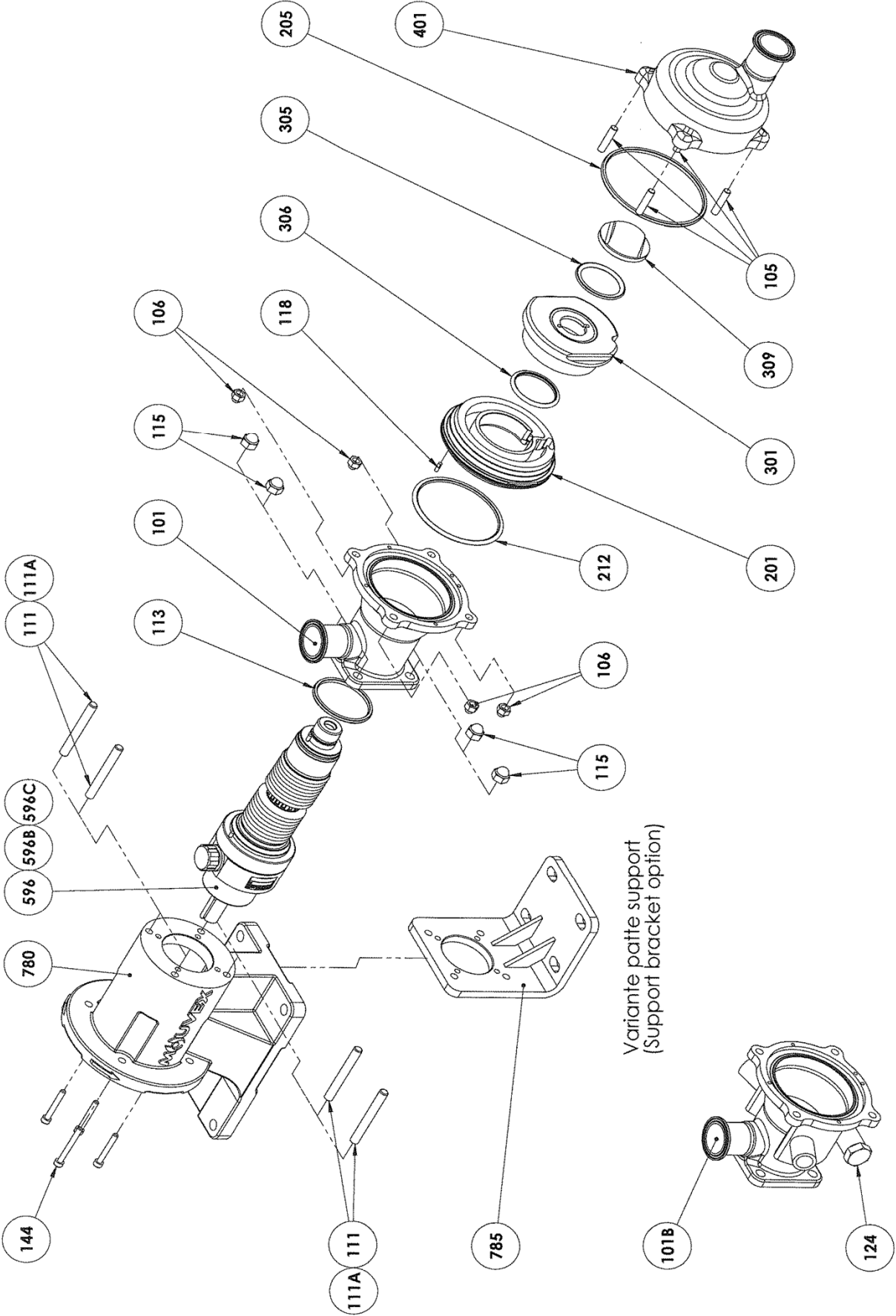
CVT : FEP encapsulated FKM

Z.I. la Plaine des Isles - 2 rue des Caillottes F-89000 AUXERRE - France

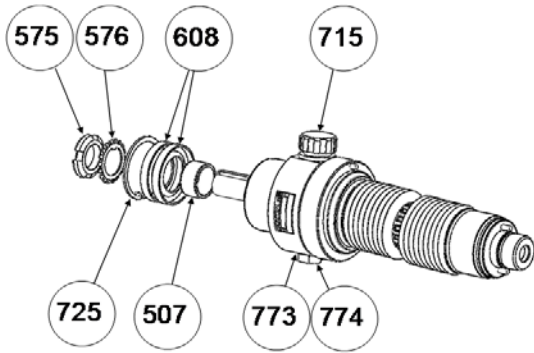
Tel : +33 (0)3 86 49 86 30 • Fax : +33 (0)3 86 49 87 17

contact@mouvex.com • www.mouvex.com

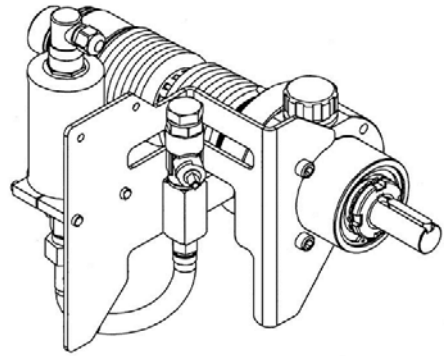
SLC1 - SLC2 - SLC3



PUMP WITH COMPLETE TRANSMISSION

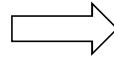
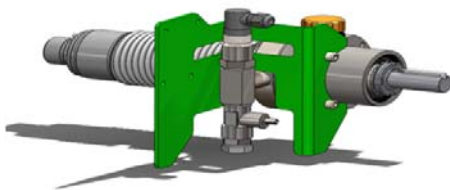


Transmission with ATEX pressure switch BMS

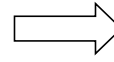
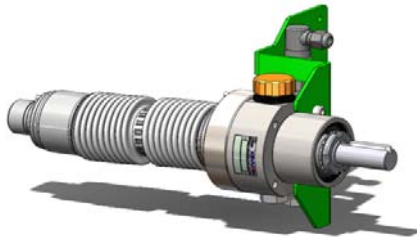


Complete transmission

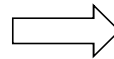
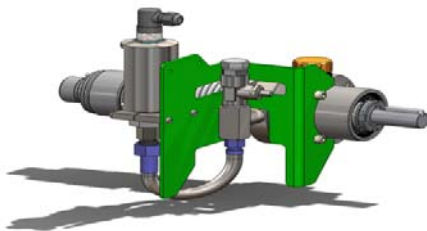
Transmission with BMS pressure switch except pump with suction port in position 1



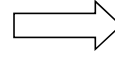
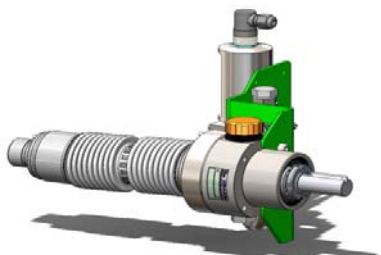
Transmission with BMS pressure switch for pump with suction port in position 1



Transmission with BMS pressure switch except pump with suction port in position 1 - ATEX



Transmission with BMS pressure switch for pump with suction port in position 1 - ATEX



SLC1

* 1, 2, 4... : Quantity in equipment - (1), (2), (4)... : Quantity in kit

Item	Available	Description	Qty*	Ref.	Maintenance kit	Wear part
8	◆	PLUGS + BREATHER	1	311441.00		
715		BREATHER	(1)			●
773		PLUG	(1)			
774		SEAL	(1)			●
9	◆	BEARING GASKETS _ SCREWS SET	1	315025.00		
507		RING	(1)			●
575		NUT	(1)			
576		WASHER	(1)			
608		LIP SEAL	(2)			●
725		CIRCLIPS	(1)			
24	◆	BENDE BRACKET SCREWS SET	1	315286.02		
24	◆	LANTERN SCREWS SET	1	315026.00		
144		SCREW	(4)			
25	◆	BENDE BRACKET KIT _SCREWS SL1 SL2 SL3	1	315618.01		
144		SCREW	(4)			
785		BENDE BRACKET	(1)			
100	◆	JACKETED INLET MANIFOLD FLANGE PN16 DN40	1	314922.00		
100	◆	JACKETED INLET MANIFOLD FLANGE PN20 DN40	1	314921.00		
101B		MAIN BODY	(1)			
124		PLUG	(2)			
101	◆	NOT POLISHED INLET MANIFOLD FLANGE PN16 DN40	1	314856.00		
101	◆	NOT POLISHED INLET MANIFOLD FLANGE PN20 DN40	1	314854.00		
119	◆	SET OF STUDS AND NUTS	1	314798.00		
105		STUD	(4)			
106		BLIND NUT	(4)			
111		STUD	(4)			
115		BLIND NUT	(4)			
119	◆	SET OF STUDS AND NUTS - ATEX PRESSURE SWITCH	1	315276.00		
105		STUD	(4)			
106		BLIND NUT	(4)			
111		STUD	(2)			
111A		STUD	(2)			
115		BLIND NUT	(4)			
200	◆	SET CYLINDER_PISTON	1	314814.01	■	
118		PIN	(1)			
201		COMPLETE CYLINDER	(1)			●
301		PISTON	(1)			●
309	◆	PISTON NUT	1	226535		
206	◆	SET OF CVT 'O' RING SEALS	1	314821.00	■	
206	◆	SET OF FKM 'O' RING SEALS	1	314820.01	■	
113		SEAL	(1)			●
205		SEAL	(1)			●
212		SEAL	(1)			●
305		SEAL	(1)			●
306		SEAL	(1)			●
401	◆	NOT POLISHED FRONT COVER FLANGE PN16 DN40	1	314878.01		
401	◆	NOT POLISHED FRONT COVER FLANGE PN20 DN40	1	314876.01		
596	◆	COMPLETE TRANSMISSION WITHOUT BELLOWS MONITORING SYSTEM	1	314797.01	■	●
596B	◆	COMPLETE TRANSMISSION WITH BMS PRESSURE SWITCH EXCEPT PUM WITH SUCTION PORT IN POSITION 1 - ATEX	1	315275.02	■	●
596B	◆	COMPLETE TRANSMISSION WITH BMS PRESSURE SWITCH EXCEPT PUM WITH SUCTION PORT IN POSITION 1	1	315685.02	■	●
596C	◆	COMPLETE TRANSMISSION WITH BMS PRESSURE SWITCH FOR PUMP WITH SUCTION PORT IN POSITION 1 - ATEX	1	315806.02	■	●
596C	◆	COMPLETE TRANSMISSION WITH BMS PRESSURE SWITCH FOR PUMP WITH SUCTION PORT IN POSITION 1	1	315805.02	■	●

SLC2

* 1, 2, 4... : Quantity in equipment - (1), (2), (4)... : Quantity in kit

Item	Available	Description	Qty*	Ref.	Maintenance kit	Wear part
8	◆	PLUGS + BREATHER	1	311441.00		
715		BREATHER	(1)			●
773		PLUG	(1)			
774		SEAL	(1)			●
9	◆	BEARING GASKETS _ SCREWS SET	1	315025.00		
507		RING	(1)			●
575		NUT	(1)			
576		WASHER	(1)			
608		LIP SEAL	(2)			●
725		CIRCLIPS	(1)			
24	◆	BENDEE BRACKET SCREWS SET	1	315286.02		
24	◆	LANTERN SCREWS SET	1	315026.00		
144		SCREW	(4)			
25	◆	BENDEE BRACKET KIT _SCREWS SL1 SL2 SL3	1	315618.01		
144		SCREW	(4)			
785		BENDEE BRACKET	(1)			
100	◆	JACKETED INLET MANIFOLD FLANGE PN16 DN40	1	314922.00		
100	◆	JACKETED INLET MANIFOLD FLANGE PN20 DN40	1	314921.00		
101B		MAIN BODY	(1)			
124		PLUG	(2)			
101	◆	NOT POLISHED INLET MANIFOLD FLANGE PN16 DN40	1	314856.00		
101	◆	NOT POLISHED INLET MANIFOLD FLANGE PN20 DN40	1	314854.00		
119	◆	SET OF STUDS AND NUTS	1	314798.00		
105		STUD	(4)			
106		BLIND NUT	(4)			
111		STUD	(4)			
115		BLIND NUT	(4)			
119	◆	SET OF STUDS AND NUTS - ATEX PRESSURE SWITCH	1	315276.00		
105		STUD	(4)			
106		BLIND NUT	(4)			
111		STUD	(2)			
111A		STUD	(2)			
115		BLIND NUT	(4)			
200	◆	SET CYLINDER_PISTON	1	314815.01	■	
118		PIN	(1)			
201		COMPLETE CYLINDER	(1)			●
301		PISTON	(1)			●
309	◆	PISTON NUT	1	226535		
206	◆	SET OF CVT 'O' RING SEALS	1	314821.00	■	
206	◆	SET OF FKM 'O' RING SEALS	1	314820.01	■	
113		SEAL	(1)			●
205		SEAL	(1)			●
212		SEAL	(1)			●
305		SEAL	(1)			●
306		SEAL	(1)			●
401	◆	NOT POLISHED FRONT COVER FLANGE PN16 DN40	1	314878.01		
401	◆	NOT POLISHED FRONT COVER FLANGE PN20 DN40	1	314876.01		
596	◆	COMPLETE TRANSMISSION WITHOUT BELLOWS MONITORING SYSTEM	1	314797.01	■	●
596B	◆	COMPLETE TRANSMISSION WITH BMS PRESSURE SWITCH EXCEPT PUM WITH SUCTION PORT IN POSITION 1 - ATEX	1	315275.02	■	●
596B	◆	COMPLETE TRANSMISSION WITH BMS PRESSURE SWITCH EXCEPT PUM WITH SUCTION PORT IN POSITION 1	1	315685.02	■	●
596C	◆	COMPLETE TRANSMISSION WITH BMS PRESSURE SWITCH FOR PUMP WITH SUCTION PORT IN POSITION 1 - ATEX	1	315806.02	■	●
596C	◆	COMPLETE TRANSMISSION WITH BMS PRESSURE SWITCH FOR PUMP WITH SUCTION PORT IN POSITION 1	1	315805.02	■	●

SLC3

* 1, 2, 4... : Quantity in equipment - (1), (2), (4)... : Quantity in kit

Item	Available	Description	Qty*	Ref.	Maintenance kit	Wear part
8	◆	PLUGS + BREATHER	1	311441.00		
715		BREATHER	(1)			●
773		PLUG	(1)			
774		SEAL	(1)			●
9	◆	BEARING GASKETS _ SCREWS SET	1	315025.00		
507		RING	(1)			●
575		NUT	(1)			
576		WASHER	(1)			
608		LIP SEAL	(2)			●
725		CIRCLIPS	(1)			
24	◆	BENDE BRACKET SCREWS SET	1	315286.02		
24	◆	LANTERN SCREWS SET	1	315026.00		
144		SCREW	(4)			
25	◆	BENDE BRACKET KIT _SCREWS SL1 SL2 SL3	1	315618.01		
144		SCREW	(4)			
785		BENDE BRACKET	(1)			
100	◆	JACKETED INLET MANIFOLD FLANGE PN16 DN40	1	314922.00		
100	◆	JACKETED INLET MANIFOLD FLANGE PN20 DN40	1	314921.00		
101B		MAIN BODY	(1)			
124		PLUG	(2)			
101	◆	NOT POLISHED INLET MANIFOLD FLANGE PN16 DN40	1	314856.00		
101	◆	NOT POLISHED INLET MANIFOLD FLANGE PN20 DN40	1	314854.00		
119	◆	SET OF STUDS AND NUTS	1	314798.00		
105		STUD	(4)			
106		BLIND NUT	(4)			
111		STUD	(4)			
115		BLIND NUT	(4)			
119	◆	SET OF STUDS AND NUTS - ATEX PRESSURE SWITCH	1	315276.00		
105		STUD	(4)			
106		BLIND NUT	(4)			
111		STUD	(2)			
111A		STUD	(2)			
115		BLIND NUT	(4)			
200	◆	SET CYLINDER_PISTON	1	314816.01	■	
118		PIN	(1)			
201		COMPLETE CYLINDER	(1)			●
301		PISTON	(1)			●
309	◆	PISTON NUT	1	226535		
206	◆	SET OF CVT 'O' RING SEALS	1	314821.00	■	
206	◆	SET OF FKM 'O' RING SEALS	1	314820.01	■	
113		SEAL	(1)			●
205		SEAL	(1)			●
212		SEAL	(1)			●
305		SEAL	(1)			●
306		SEAL	(1)			●
401	◆	NOT POLISHED FRONT COVER FLANGE PN16 DN40	1	314878.01		
401	◆	NOT POLISHED FRONT COVER FLANGE PN20 DN40	1	314876.01		
596	◆	COMPLETE TRANSMISSION WITHOUT BELLOWS MONITORING SYSTEM	1	314797.01	■	●
596B	◆	COMPLETE TRANSMISSION WITH BMS PRESSURE SWITCH EXCEPT PUM WITH SUCTION PORT IN POSITION 1 - ATEX	1	315275.02	■	●
596B	◆	COMPLETE TRANSMISSION WITH BMS PRESSURE SWITCH EXCEPT PUM WITH SUCTION PORT IN POSITION 1	1	315685.02	■	●
596C	◆	COMPLETE TRANSMISSION WITH BMS PRESSURE SWITCH FOR PUMP WITH SUCTION PORT IN POSITION 1 - ATEX	1	315806.02	■	●
596C	◆	COMPLETE TRANSMISSION WITH BMS PRESSURE SWITCH FOR PUMP WITH SUCTION PORT IN POSITION 1	1	315805.02	■	●