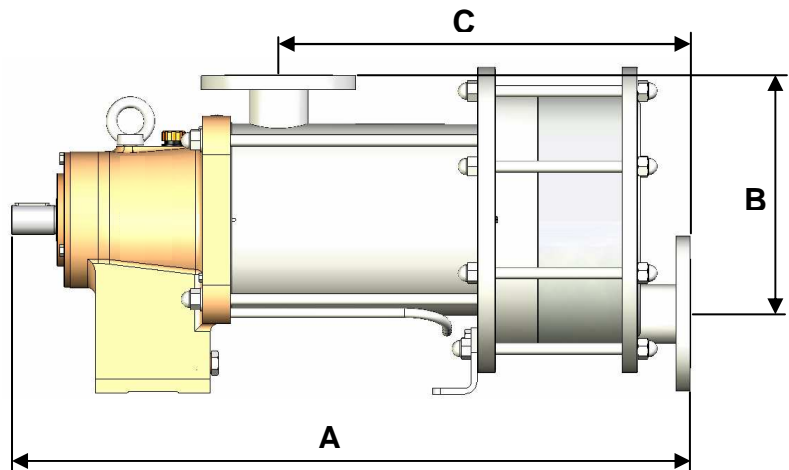
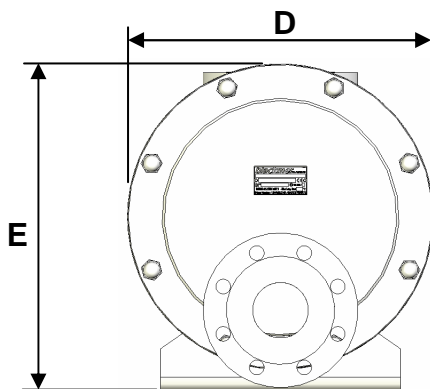


### CHARACTERISTICS

|  | STANDARD               | AVAILABLE OPTIONS  |
|--|------------------------|--|
| <b>Technology</b>                                      | Eccentric Disc Mouvex® |  |
| <b>Maximum Flow rate at 1 cSt L/h (GPM)</b>            | 24000 (105.66)         |  |
| <b>Cubic capacity L (cu.in)</b>                        | 0.946 (57.73)          |  |
| <b>Inlet chamber volume L (cu.in)</b>                  | 11 (671)               |  |
| <b>Outlet chamber volume L (cu.in)</b>                 | 7 (427)                |  |
| <b>Ports</b>   | DN 80 ISO PN16 flanges | ISO PN20 flanges<br>SMS 1145<br>DIN 11851<br>DIN 11864 BF-A Aseptik fl.<br>BS4825-5<br>CONNECT-S®<br>CLAMP (ISO 2858)<br>CHERRY BURREL<br>IDF (ISO 2853) |
| <b>Pump heating</b>                                    | None                   | Heating jacket   |
| <b>Dimensions mm (in.)<br/>(With ISO PN16 flanges)</b> | <b>A</b>               | 879 (34.6)   |
|  | <b>B</b>               | 308 (12.13)  |
|  | <b>C</b>               | 533.5 (21)   |
|  | <b>D</b>               | 395 (15.55)  |
|  | <b>E</b>               | 421.5 (16.6)   |
| <b>Weight kg (lbs)</b>                                 | 185 (408)              |  |



### OPERATING LIMITS

|   | STANDARD MATERIALS   |
|---|--|
| Minimum temperature °C (°F)             | -15 (5)  |
| Maximum temperature °C (°F)             | Process: 100 (212) Washing / Rinsing / Sterilisation : 121 (250) |
| Maximum viscosity cSt (SSU)             | 10000 (46350)  |
| Maximum differential pressure bar (psi) | 9 (130)  |
| Maximum inlet pressure barg (psig)      | 2 (29)   |
| Maximum speed rpm                       | 460  |
| Maximum solid particle size mm (in)     | 2 (0.079)  |
| Maximum soft particle size mm (in)      | 14 (0.551)   |

### MATERIALS OF CONSTRUCTION

| Part No | PART NAME                    | STANDARD MATERIALS                     | AVAILABLE OPTIONS                                  |
|---------|------------------------------|--|--|
| 101     | Inlet Tube                   | 316L Stainless Steel (low carbon)      |  |
| 104     | Inlet tube Bracket           | 316L Stainless Steel (low carbon)      |  |
| 201     | Cylinder                     | 316L Stainless Steel (low carbon)      |  |
| 301     | Disc                         | CY5SnBiM (anti galling alloy)          |  |
| 304     | Disc Nut                     | 316Ti Stainless Steel (Titanium Alloy) |  |
| 401     | Outlet Cover                 | 316L Stainless Steel (low carbon)      |  |
| 402     | Spacer tube                  | 316L Stainless Steel (low carbon)      |  |
|         | Bolts                        | 316L Stainless Steel (low carbon)      |  |
| 596     | <b>Transmission Assembly</b> |  |  |
|         | Bearings                     | Ball / Roller / Needle                 |  |
|         | Double Bellows Assembly      | 316Ti & 316 L Stainless Fabrication    | Bellows monitoring system                          |
|         | Housing                      | Cast iron                              |  |
|         | Screws                       | Steel                                  |  |
|         | Transmission Lubricant       | Synthetic oil                          |  |
|         | Seal Rings                   | Fluorocarbon (FKM) O-Rings             | L - FKM gaskets (FDA)<br>PTFE Encapsulated O-rings |

