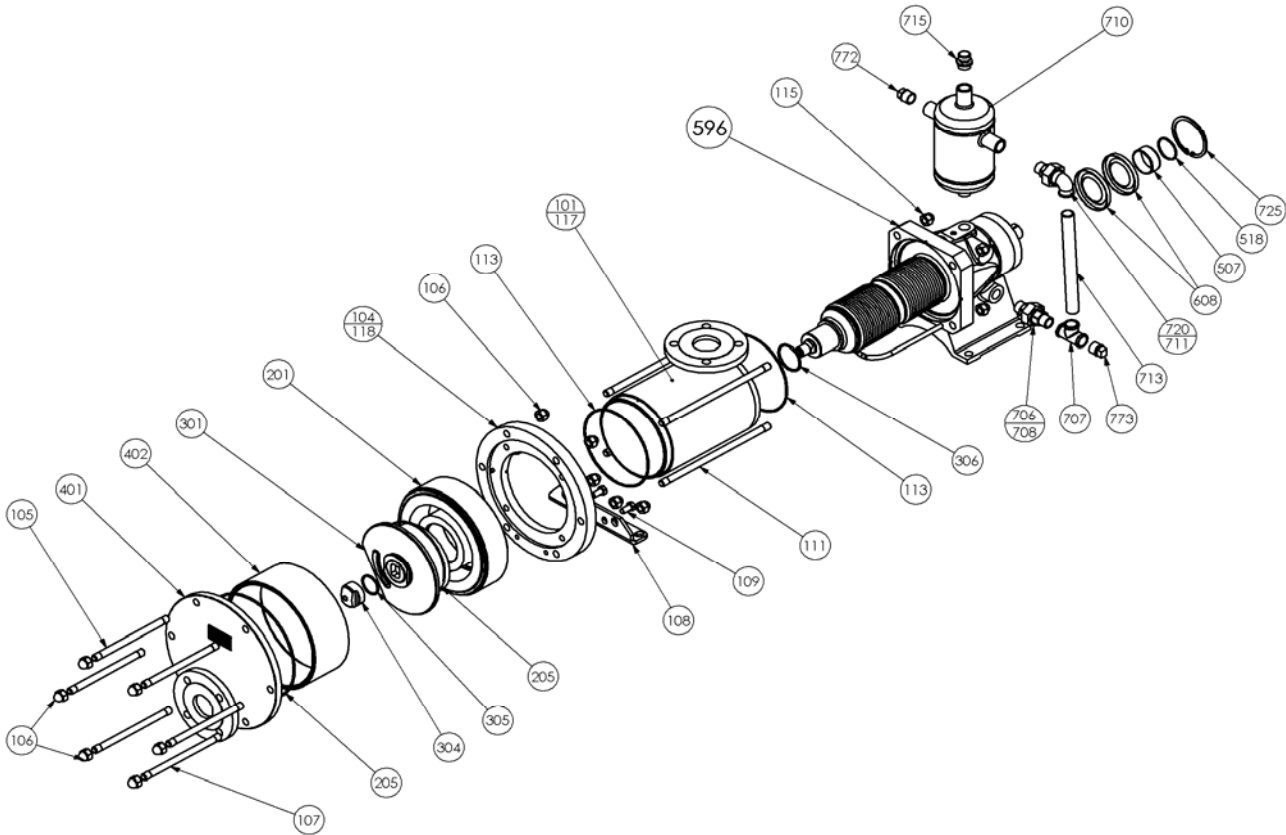


(See Instructions 1001-D00 for Installation, Operation and Maintenance)

Section	1001
Effective	May 2011
Replaces	June 2010



Reference			Description	Quantity		Article code		Wear parts
Ass.	Part	Available		Order	In Pump	C12 i HT	C18 i HT	
			STANDARD INLET MANIFOLD :					
100		◆	PN16 DN65	1		311582.00		
100		◆	PN20 DN65	1		311726.00		
100		◆	Smooth Pipes	1		311650.00		
100		◆	DIN 65	1		311646.00		
100		◆	CS F DN65	1		313894.00		
100		◆	BS4825-5 DN65	1		313990.00		
			JACKETED INLET MANIFOLD :					
100		◆	PN16 DN65	1		311854.00		
100		◆	PN20 DN65	1		311860.00		
100		◆	Smooth Pipes	1		311856.00		
100		◆	DIN 65	1		311858.00		
100		◆	CS F DN65	1		313897.00		
100		◆	BS4825-5 DN65	1		313992.00		
	101		Main body		(1)			
	104		Main body flange		(1)			
	108		Support foot		(1)			
	109		Screw		(2)			
	117		Pin		(2)			
	118		Pin		(1)			
	124		Plug (with Jacketed Inlet)		(2)			
119		◆	Set of studs and nuts	1		311580.00	311748.00	
	105		Stud		(4)			
	106		Blind nut		(12)			
	107		Stud		(2)			
	111		Stud		(4)			
	115		Blind nut		(4)			
	123		Washer		(4)			

(◆) To order the required spare parts, indicate the appropriate CUM numbers.

Reference			Description	Quantity		Article code		Wear parts
Ass.	Part	Available		Order	In Pump	C12 i HT	C18 i HT	
200		◆	Set cylinder/Piston	1		312865.04	312867.00	•
	201		Cylinder		(1)			
	301		Piston		(1)			
	304	▲	Piston nut	1		218053	218397	
206		◆	Set of FKM 'O' ring seals	1		311588.00		•
206		◆	Set of CVT 'O' ring seals	1		311589.00		•
206		◆	Set of FKM lip seals ('L' rings) FDA	1		311763.00		•
	113		Seal		(2)			
	205		Seal Ring		(2)			
	305		Seal		(1)			
	306		Seal		(1)			
400		◆	COMPLETE FRONT COVER :					
400		◆	PN16 DN65	1		311591.00		
400		◆	PN20 DN65	1		311728.00		
400		◆	Smooth Pipes	1		311643.00		
400		◆	DIN 65	1		311639.00		
400		◆	CS F DN65	1		313903.00		
400		◆	BS4825-5 DN65	1		313993.00		
			Front cover :					
	401	◆	PN16 DN65	1		311523.00		
	401	◆	PN20 DN65	1		311722.00		
	401	◆	Smooth pipes	1		311627.00		
	401	◆	DIN 65	1		311623.00		
	401	◆	CS F DN65	1		313904.00		
	401	◆	BS4825-5 DN65	1		314002.00		
	402		Outlet tube		(1)			
596		◆	Complete transmission with container	1		313860.00		
596		◆	Complete transmission with container - Jacketed version	1		313861.00		
596A		◆	Complete transmission without container	1		314206.00		
596A		◆	Complete transmission without container - Jacketed version	1		314205.00		
	9	◆	Bearing gaskets / ring	1		312855.01		
	507		Ring		(1)			
	518		O-Ring		(1)			
	608		Lip seal		(2)			
	725		Circlip		(1)			
	8	◆	Plugs + gasket	1		314260.00		
	715		Breather		(1)			
	772		Plug		(1)			
	773		Plug		(1)			
	775		Plug		(1)			
	905		Plug		(2)			
	7	◆	Connection HT	1		312857.01		
	720		Union		(1)			
	707		Tee piece		(1)			
	708		Union		(1)			
	713		Nipple		(1)			
	710	◆	Bearing oil reservoir	1		312856.01		

CVT : FKM enrobé FEP

(◆) To order the required spare parts, indicate the appropriate CUM numbers.

Keep this parts lists with Installation, Operation and Maintenance Instructions.

CVT : FEP encapsulated FKM



Z.I. la Plaine des Isles - 2 rue des Caillottes F-89000 AUXERRE - France

Tel : +33 (0)3 86 49 86 30 • Fax : +33 (0)3 86 49 87 17

contact@mouvex.com • www.mouvex.com