

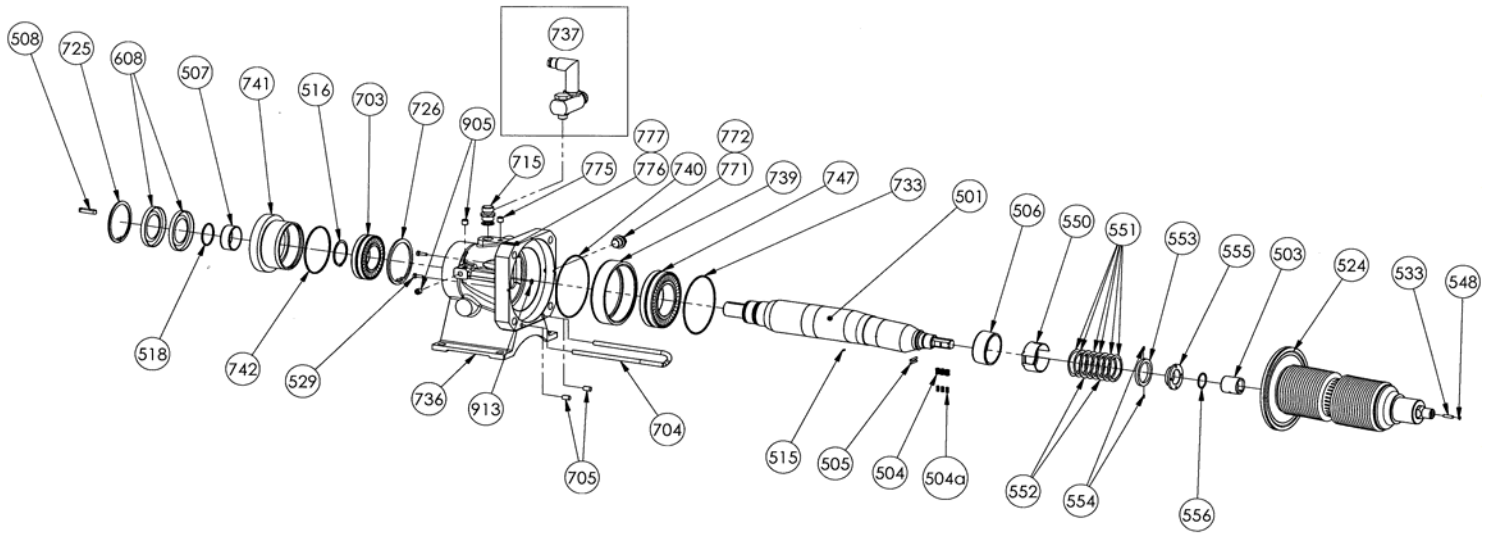
BLACKMER
MODEL :

PARTS LIST
Transmission C12 - C18

P.L. : 1001-M01

(See Instructions 1001-D00 for Installation, Operation and Maintenance)

Section	1001
Effective	April 2007
Replaces	New



Reference			Description	Quantity		ARTICLE CODE		Wear parts
Ass.	Part	Available		Order	In Pump	Standard	Jacket	
10	501	◆	Shaft Set Shaft	1	(1)	314245.00		
	11	◆	Shaft ring set Ring	1	(1)	314246.00		
	506		Pin		(1)			
	515				(1)			
12	503	◆	Radial return set Bushing bearing	1	(1)	314247.00		
	505		Pin		(2)			
	13	◆	Radial spring set Spring	1	(1)	314248.00		
	504		Spring		(3)			
	504A		Spring		(3)			
14	550	◆	Axial return set Cage	1	(1)	313812.00		
	553		Friction face		(1)			
	554		Pin		(2)			
	555		Spring seat		(1)			
	556		Circlips		(1)			
	15	◆	Axial spring set Wave spring	1	(1)	313813.00		
	551		Washer		(6)			
552				(2)				

(◆) Sets of parts or (▲) parts available to order

Reference			Description	Quantity		ARTICLE CODE		Wear parts
Ass.	Part	Available		Order	In Pump	Standard	Jacket	
16	529 533 508	◆	Screws set Screw Screw Key	1	(3) (1) (1)	313788.00		
17		◆	Bellows set	1		314244.00		
18	703 726 516 747	◆	Ball bearing set Self aligning bearing Circlip Circlips Self aligning roller bearing	1 1	(1) (1) (1) (1)	314075.00		
19	736 739 741 704 705	◆ ▲ ▲ ▲	Bearing set Main bearing Front bearing insert Back bearing insert Pipe support Pin	1 1 1 1 1 2	(5) (1) (1) (1) (2)	314249.00 223733 220405 220406 -	314250.00 - -	
20	733 740 742 913	◆	Seals set O ring O ring O ring O ring	1	(1) (1) (1) (1)	314153.00		
8	715 771 772 775 905	◆	Plugs set Breather Seal Plug Plug Plug	1	(1) (1) (1) (1) (2)	314259.00		
9	507 518 608 725	◆	Lip seal set Ring O ring Lip seal Circlip	1	(1) (1) (2) (1)	312855.01		•
Reference			Description	Quantity		ARTICLE CODE		Wear parts
Ass.	Part	Available		Order	In Pump	Standard	ATEX	
737	727 728 729 730 732	◆	Failure detector kit Failure detector coupling Failure detector banjo screw Bonded Seal Capacitive proximity switche Amplifier	1	(1) (1) (2) (1) (1)	312963.00 -	312966.00	

(◆) Sets of parts or (▲) parts available to order

Keep this parts lists with Installation, Operation and Maintenance Instructions

To order the required spare parts, indicate the appropriate CUM numbers



ZI la Plaine des Isles - 2 Rue des Caillottes 89000 AUXERRE - France 1809 Century Avenue, Grand Rapids, Michigan 49503-1530, U.S.A.

Tél. : +33 3.86.49.86.40 or +33 3 86.49.87.09 - Fax : +33 3.86.49.87.17 Telephone: (616) 241-1611 / Fax: (616) 241-3752

E-Mail : contact@blackmer-mouvex.com Internet : www.blackmer.com E-Mail: blackmer@blackmer.com / Internet: www.blackmer.com