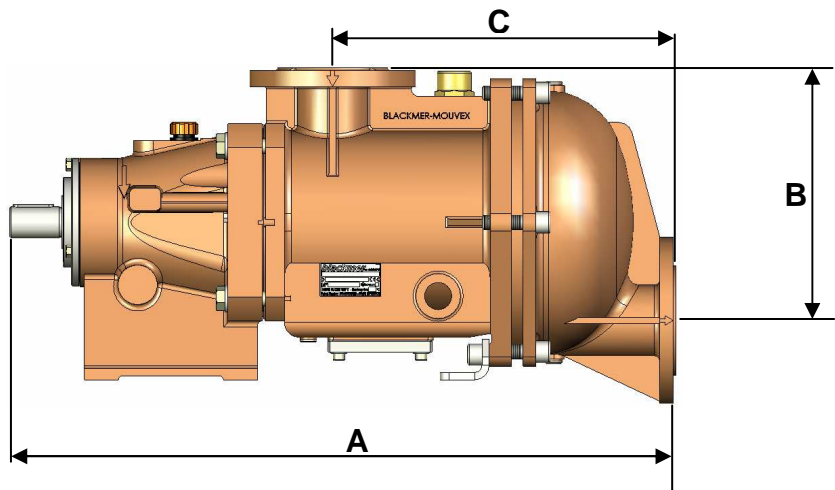
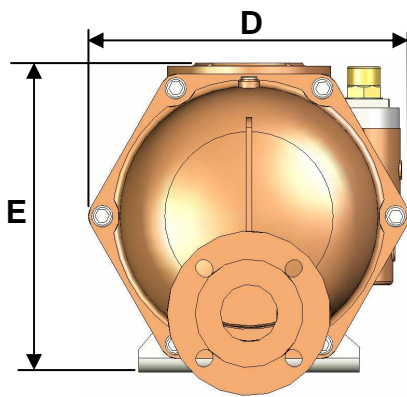


CHARACTERISTICS

	STANDARD	AVAILABLE OPTIONS
Technology	Eccentric Disc Mouvex®	
Maximum Flow rate at 1 cSt L/h (GPM)	12000 (52.83)	
Cubic capacity L (cu.in)	0,411 (25.08)	
Ports	DN 65 ISO PN16 flanges ANSI150 compatibles	
Internal relief valve	With	Without
Pump heating	None	Heating jacket
Dimensions mm (in.)	A 745 (29.33)	
	B 281 (11.07)	
	C 384 (15.12)	
	D 363 (14.30)	
	E 347 (13.66)	
Weight kg (lbs)	115 (254)	



OPERATING LIMITS

	STANDARD MATERIALS
Minimum temperature °C (°F)	-15 (5)
Maximum temperature °C (°F)	100 (212)
Maximum viscosity cSt (SSU)	3000 (14000)
Maximum differential pressure bar (psi)	9 (130)
Maximum inlet pressure barg (psig)	1 (14.5)
Maximum speed rpm	530
Maximum solid particle size mm (in)	2 (0.079)
Maximum soft particle size mm (in)	10 (0.394)

MATERIALS OF CONSTRUCTION

Part No	PART NAME	STANDARD MATERIALS	AVAILABLE OPTIONS
101	Inlet Manifold	Ductile Iron	
201	Cylinder	Ductile Iron	
301	Disc	Ductile Iron	
304	Disc Nut	Ductile Iron	
401	Front cover	Ductile Iron	
	Bolts, nuts	Carbon steel	
	Transmission Assembly		
596	Bearings	Ball / Roller / Needle	
	Bellows Assembly	316Ti & 316 L Stainless Fabrication	
	Housing	Cast iron	
	Screws	Steel	
	Transmission Lubricant	Synthetic oil	
	Seal Rings	Fluorocarbon (FKM) O-Rings	PTFE Encapsulated O-rings

