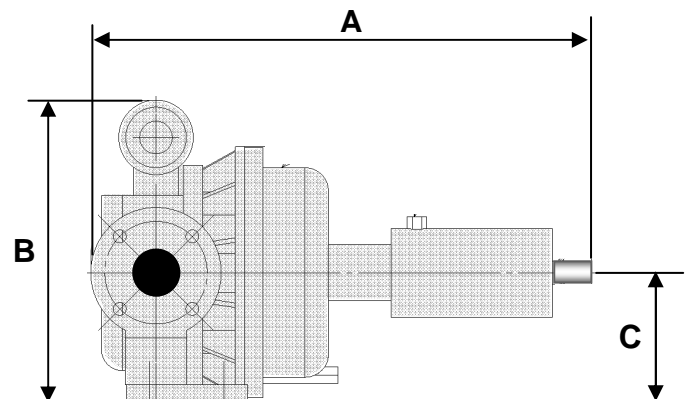
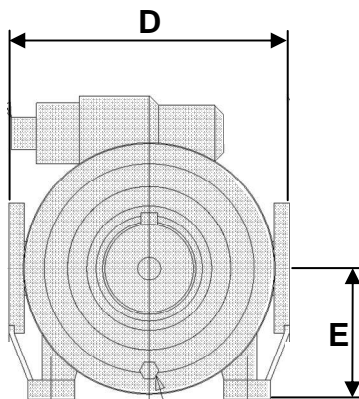


## CHARACTERISTICS

	STANDARD	AVAILABLE OPTIONS
Technology	Eccentric Disc Mouvex®	
Maximum Flow rate at 1 cSt m <sup>3</sup> /h (GPM)	11.7 (51.5)	
Cubic capacity L (cu.in)	0.406 (24.77)	
Internal relief valve	With	
Rotation	Reversible	
Ports	Flanges	
Heating	None	
Dimensions mm (in.)	A	537 (21.14)
	B	325 (12.8)
	C	140 (5.51)
	D	300 (11.81)
	E	140 (5.51)
Weight kg (lbs)	45 (99.2)	



**OPERATING LIMITS**

	STANDARD MATERIALS
Minimum temperature °C (°F)	-10 (14)
Maximum temperature °C (°F)	250 (482)
Maximum viscosity cSt (SSU)	15000 (69500)
Maximum differential pressure bar (psi)	5 (72)
Maximum speed (rpm)	500

**MATERIALS OF CONSTRUCTION**

Part No	PART NAME	STANDARD MATERIALS	AVAILABLE OPTIONS
101	Main Body	Cast iron	
201	Cylinder	Cast iron	
301	Disc	Ductile iron	
401	Front cover	Cast iron	
501	Shaft	Carbon steel	
	Bushings	Carbon	
	Static O-rings	FKM HT	
	Mechanical seal	Silicon carbide/Sil. Carb./FKM	

