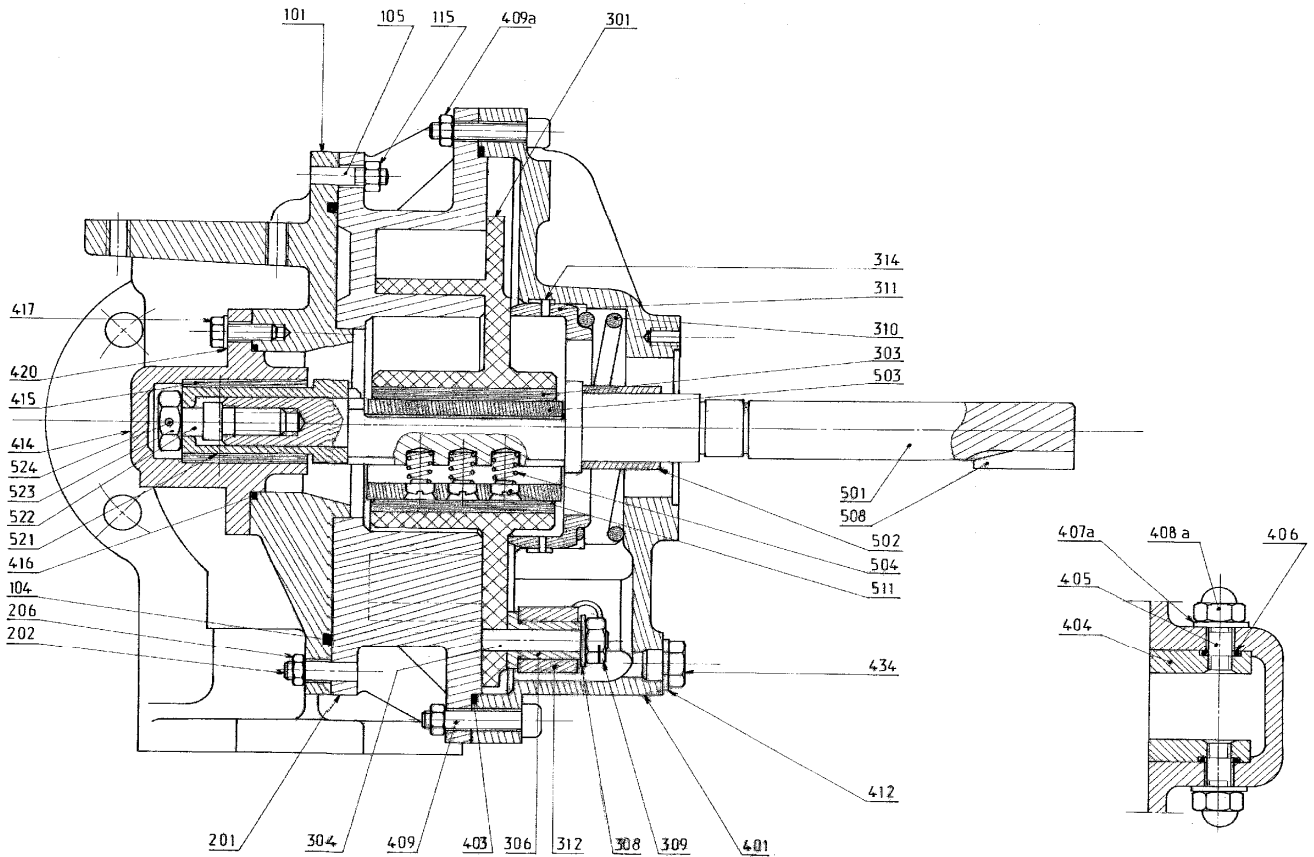


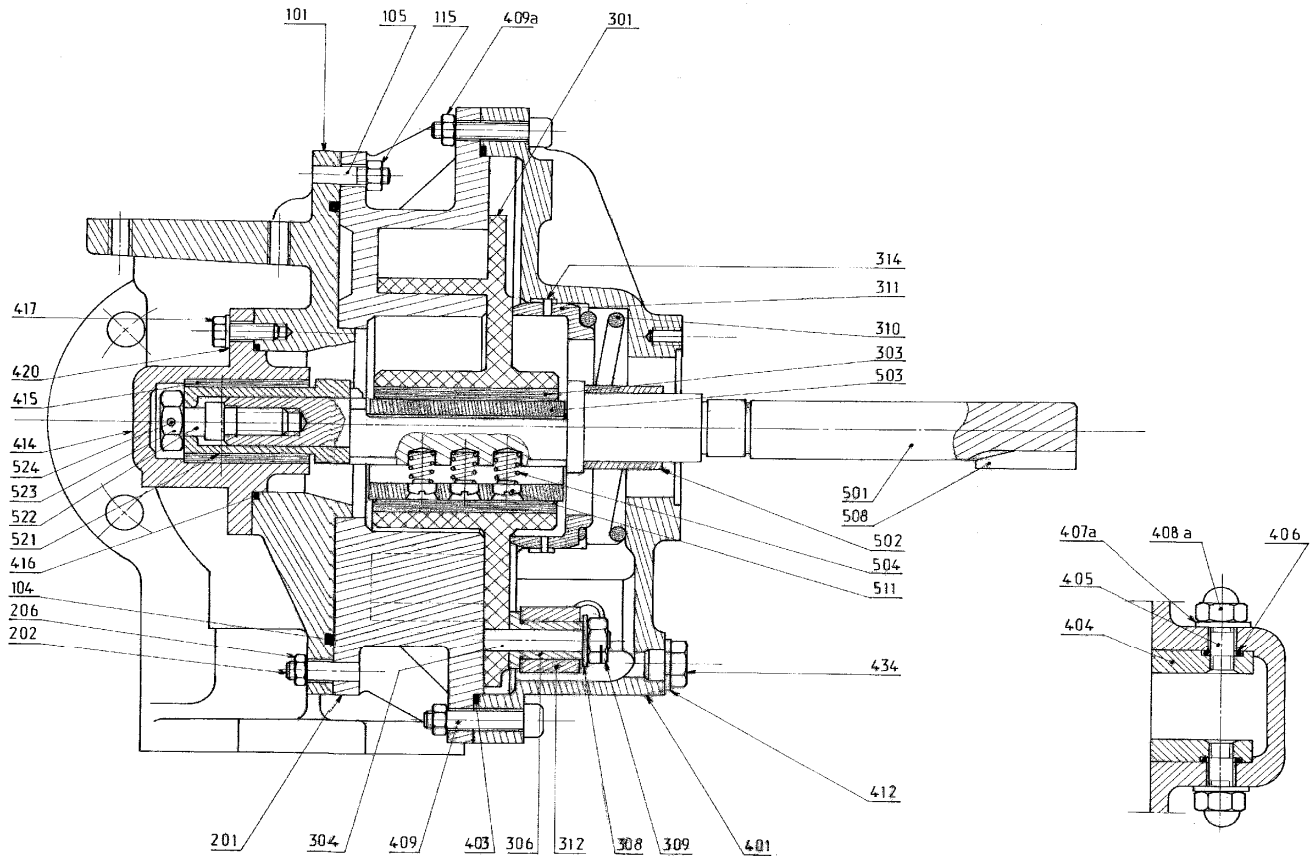
(See Instructions 1003-G00 for Installation, Operation and Maintenance)

Section	1003
Effective	September 2011
Replaces	May 2010



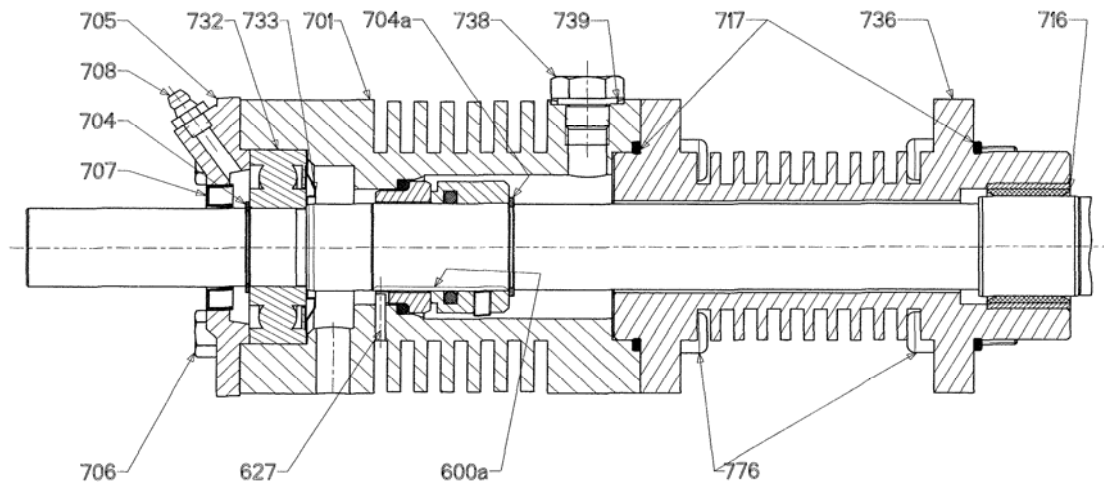
Reference			Description	Quantity		Article code	Wear parts
Ass.	Part	Available		Order	In Pump	AK HT	
99		◆	<b>Full set of screws / seals</b>	1		<b>311708.00</b>	
	104		Gasket		(1)		
	105		Stud		(7)		
	115		Nut		(7)		
	202		Stud		(3)		
	206		Nut		(3)		
	403		Front cover seal		(1)		
	405		Stud		(2)		
	406		Seal		(2)		
	407a		Seal		(2)		
	408a		Nut		(2)		
	409		Screw		(16)		
	409a		Nut		(16)		
	411		Front cover drain plug + seal		(1)		
	412		Seal		(1)		
	434		Drain plug		(1)		
	416		Gasket		(1)		
	417		Screw		(4)		
	420		Washer		(4)		
	1000		Plug		(1)		
	1001		Plug		(1)		
	1002		Seal		(1)		
100		◆	<b>Main body, complete</b>	1		<b>300138.04</b>	
	101		Main body		(1)		
	105		Stud		(7)		
	115		Nut		(7)		
	817	◆	Mounting kit	1		300139.00	
	813		Nut		(2)		
	814		Stud		(8)		
	815		Washer		(2)		
	877		Centering gasket		(2)		

(◆) Sets of parts or (▲) parts available to order.



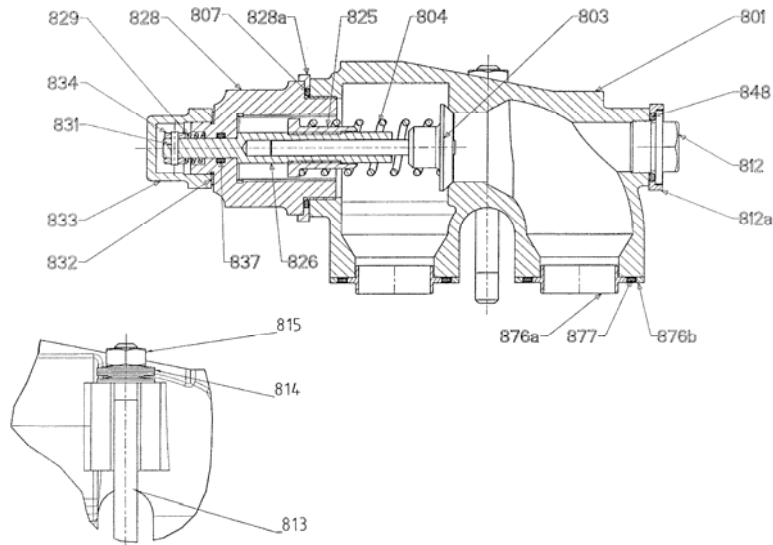
Reference			Description	Quantity		Article code	Wear parts
Ass.	Part	Available		Order	In Pump	AK HT	
200	201	◆	<b>Cylinder, complete</b> Cylinder	1	(1)	311712.00	•
300	3010	◆	<b>Complete piston</b> Piston + Block pin	1	(1)	311570.04	•
	303	▲	Piston bushing	1		218282	•
	398	◆	Slide block, complete	1		305221.00	
	308		Washer		(1)		
	309		Nut		(1)		
	307	◆	Slide block + bushing	1		300122.00	•
	306		Bushing		(1)		
	312		Slide block		(1)		
399	310	◆	<b>Guide block, complete</b> Spring	1	(1)	300004.00	
	311		Piston rear spring seat		(1)		
	314		Pin		(2)		
400	401	◆	<b>Complete front cover</b> Front cover	1	(1)	300140.04	
	402	◆	Front bushing set	1		300016.04	•
	404		Guide		(2)		
	405		Stud		(2)		
	406		Seal		(2)		
	407		Washer		(2)		
	408		Nut		(2)		
	411	◆	Front cover drain plug + seal	1		300036.00	
	412		Seal		(1)		
	434		Drain plug		(1)		
	403	▲	Front cover seal	1		216304	
413	414	◆	<b>Front cover bearing complete</b> Front cover bearing	1	(1)	311305.04	
	415	▲	Bearing bushing	1		218287	•
	416		Gasket		(1)		
	417		Screw		(4)		
	420		Washer		(4)		
	1000		Plug		(1)		

(◆) Sets of parts or (▲) parts available to order.



Reference			Description	Quantity		Article code	Wear parts
Ass.	Part	Available		Order	In Pump	AK HT	
500		◆	<b>Shaft complete</b>	1		<b>311709.00</b>	
		▲	Shaft	1		218329	
			Bushing		(1)		
		▲	Piston bearing	1		203567	•
		▲	Key	1		204521	
		◆	Bearing spring complete	1		300144.00	
			Spring		(3)		
			Screw		(3)		
		◆	Complete sleeve	1		300145.00	•
			Sleeve		(1)		
			Screw		(1)		
			Nut		(1)		
			Pin		(1)		
	700		◆	<b>Ball bearings complete</b>	1		<b>311710.00</b>
		◆	Mechanical seal + seals + screws	1		311714.00	•
			Mechanical seal		(1)		
			Ring		(1)		
			Circlip		(1)		
			Screw		(4)		
			Lip seal		(1)		
			Cage seal		(2)		
			Protection circlip		(1)		
			Plug		(1)		
			Seal		(1)		
			Stud		(8)		
			Pin		(1)		
			Bearing cage		(1)		
			Bearing cover		(1)		
			Grease nipple		(1)		
			Bearing		(1)		
			Bearing complete		(1)		
			Bushing		(1)		
			Bearing HT		(1)		

(◆) Sets of parts or (▲) parts available to order.



Reference			Description	Quantity		Article code	Wear parts
Ass.	Part	Available		Order	In Pump	AK HT	
<b>800</b>		◆	<b>Bypass complete - HT</b>	<b>1</b>		<b>300188.04</b>	
	801		Bypass body		(1)		
	803		Valve		(1)		
	804	▲	Spring	1		201187	
	812		Plug		(1)		
	812a		Bushing		(1)		
	825		Spring guide		(1)		
	826		Adjusting screw		(1)		
	828		Nut		(1)		
	828a		Bushing		(1)		
	833		Seat		(1)		
	834		Plug				
	899	◆	<b>Bypass gasket set -HT</b>	1		300091.04	
	807		Seal		(1)		
	829		Spring		(1)		
	831		Pin		(1)		
	832		Seal		(1)		
	837		Seal		(1)		
	848		Seal		(1)		
	876a		Internal centering		(2)		
	876b		External centering		(2)		
	817	◆	<b>Mounting kit</b>	1		300139.00	
	813		Nut		(2)		
	814		Stud		(8)		
	815		Washer		(2)		
	877		Centering gasket		(2)		

(◆) Sets of parts or (▲) parts available to order.

Keep this parts lists with Installation, Operation and Maintenance Instructions.

To order the required spare parts, indicate the appropriate CUM numbers.



Z.I. la Plaine des Isles - 2 rue des Caillottes F-89000 AUXERRE - FRANCE

Tel : +33 (0)3 86 49 86 30 • Fax : +33 (0)3 86 49 87 17

contact@mouvex.com • www.mouvex.com