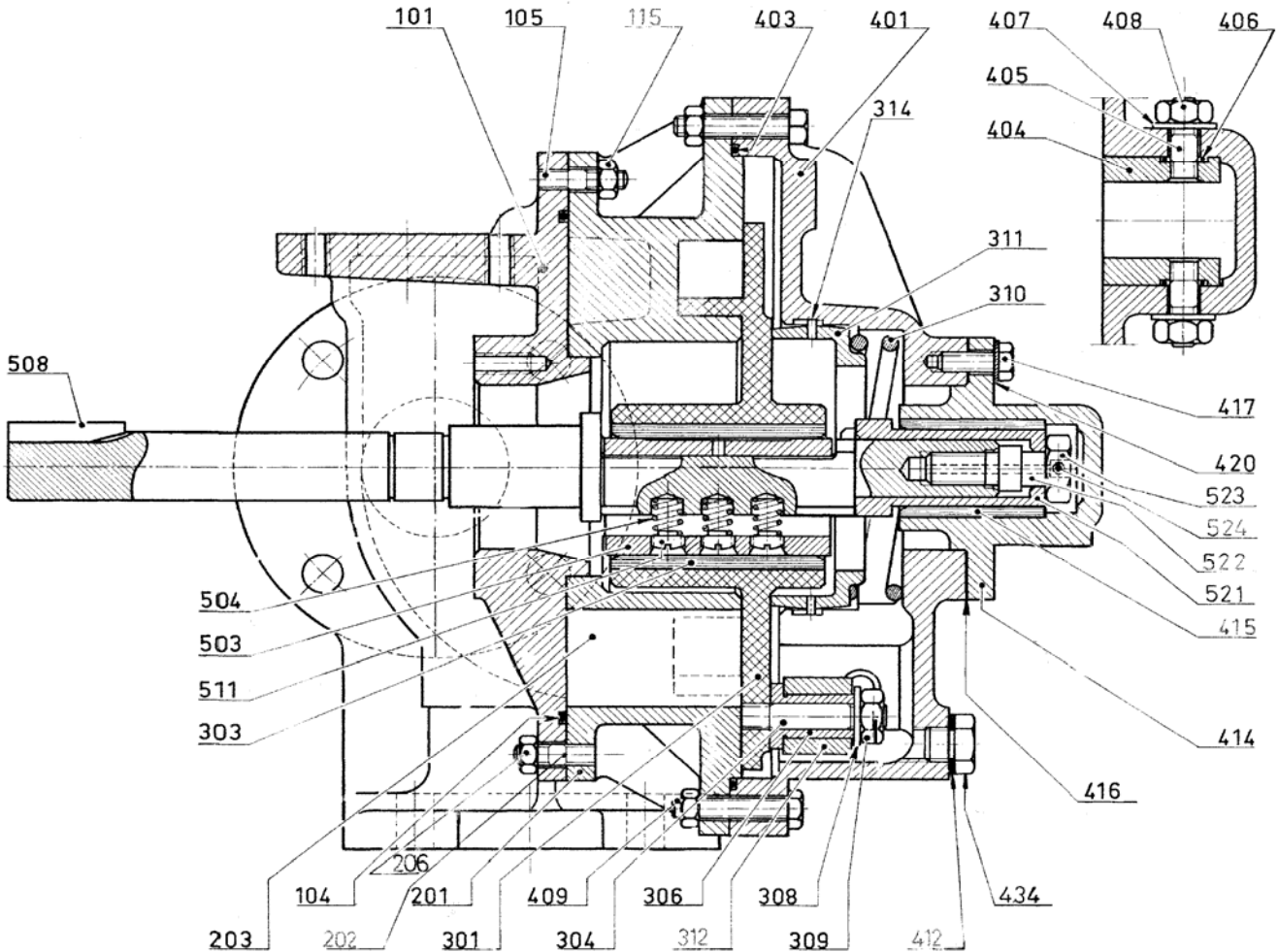


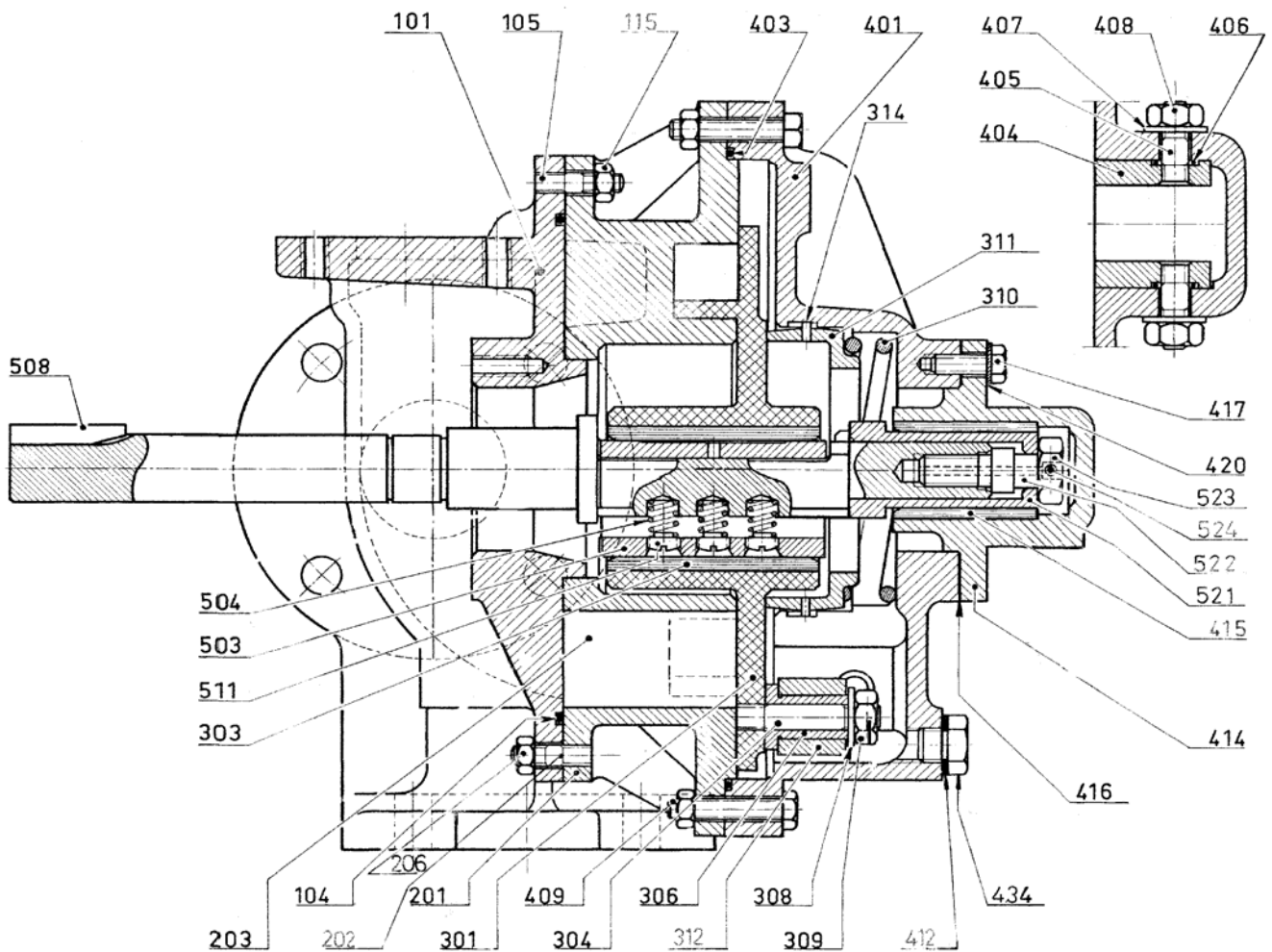
(See Instructions **1003-F00** for Installation, Operation and Maintenance)

Section	1003
Effective	November 2011
Replaces	September 2011



Reference			Description	Quantity		Article code	Wear parts
Ass.	Part	Available		Order	In Pump	AK O HP	
98		◆	<b>Full set of screws</b>	1		<b>300017.00</b>	
	105		Stud		(7)		
	115		Nut		(7)		
	202		Stud		(3)		
	206		Nut		(3)		
	409		Screw		(16)		
	409a		Nut		(16)		
	417		Screw		(4)		
	420		Washer		(4)		
99		◆	<b>Full set of seals - FKM</b>	1		<b>300009.00</b>	
99		◆	<b>Full set of seals - FKM (Heating jacket)</b>	1		<b>304076.01</b>	
	104		Gasket		(1)		
	403		Front cover seal		(1)		
	406		Seal		(2)		
	412		Seal		(1)		
	416		Gasket		(1)		
100		◆	<b>Main body, complete</b>	1		<b>300000.00</b>	
	101		Main body		(1)		
	105		Stud		(7)		
	115		Nut		(7)		
200		◆	<b>Cylinder, complete</b>	1		<b>301730.00</b>	•
	201		Cylinder		(1)		
	202		Stud		(3)		
	203	▲	Bulkhead	1		201507	
	206		Nut		(3)		

(◆) Sets of parts or (▲) parts available to order.

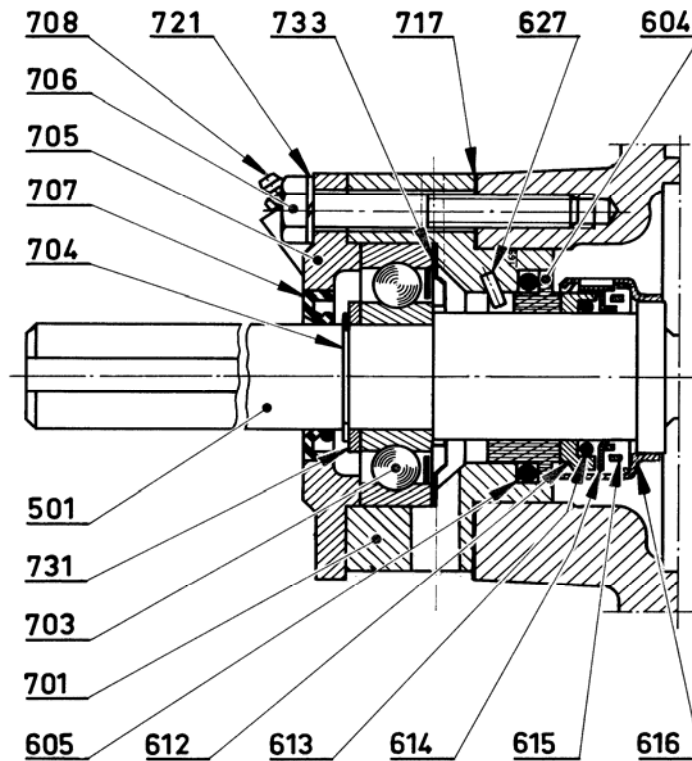


Reference			Description	Quantity		Article code	Wear parts
Ass.	Part	Available		Order	In Pump	AK O HP	
300		◆	Complete piston - Bronze bushing	1		301731.00	•
300		◆	Complete piston - Carbon bushing	1		307855.01	•
300		◆	Complete piston (drilled) - Bronze bushing	1		311180.01	•
300		◆	Complete piston (drilled) - Carbon bushing	1		311190.01	•
	3010		Piston + Block pin		(1)		
	303	▲	Piston bushing (bronze)	1		219638	•
	303	▲	Piston bushing (carbon)	1		211655	•
	315		Screw (for drilled piston)		(1)		
	398	◆	Slide block, complete	1		305221.00	
	308		Washer		(1)		
	309		Nut		(1)		
	307	◆	Slide block + bushing	1		300122.00	•
	306		Bushing		(1)		
	312		Slide block		(1)		
399		◆	Guide block, complete	1		300004.00	
	310		Spring		(1)		
	311		Piston rear spring seat		(1)		
	314		Pin		(2)		

(◆) Sets of parts or (▲) parts available to order.

Reference			Description	Quantity		Article code	Wear parts
Ass.	Part	Available		Order	In Pump	AK O HP	
<b>400</b>		◆	<b>Complete front cover - FKM</b>	<b>1</b>		<b>301734.00</b>	
<b>460</b>		◆	<b>Complete front cover with jacket</b>	<b>1</b>		<b>304056.01</b>	
	401		Front cover		(1)		
	461		Jacketed front cover		(1)		
	462		Jacket drain plug		(2)		
	402	◆	Front bushing set - FKM	1		300010.00	•
	402	◆	Front bushing set - Teflon encapsulated FKM	1		300016.04	•
	404		Guide		(2)		
	405		Stud		(2)		
	406		Seal		(2)		
	407		Washer		(2)		
	408		Nut		(2)		
	411	◆	Front cover drain plug + seal	1		300036.00	
	412		Seal		(1)		
	434		Drain plug		(1)		
	403	▲	Front cover seal - FKM	1		200837	
<b>413</b>		◆	<b>Front cover bearing complete - Bronze bushing</b>	<b>1</b>		<b>300006.00</b>	
<b>413</b>		◆	<b>Front cover bearing complete - Carbon bushing</b>	<b>1</b>		<b>308301.00</b>	
	414		Front cover bearing		(1)		
	415	▲	Bearing bushing - Bronze	1		201536	•
	415	▲	Bearing bushing - Carbon	1		211656	•
	416		Gasket		(1)		
	417		Screw		(4)		
	420		Washer		(4)		
<b>500</b>		◆	<b>Shaft Blocdir complete</b>	<b>1</b>		<b>312272.01</b>	
	501	▲	Shaft	1		219467	
	503	▲	Piston bearing	1		203567	•
	508	▲	Key	1		203855	
	598	◆	Bearing spring complete	1		300144.00	
	504		Spring		(3)		
	511		Screw		(3)		
	515	◆	Complete sleeve	1		300145.00	•
	521		Sleeve		(1)		
	522		Screw		(1)		
	523		Nut		(1)		
	524		Pin		(1)		

(◆) Sets of parts or (▲) parts available to order.



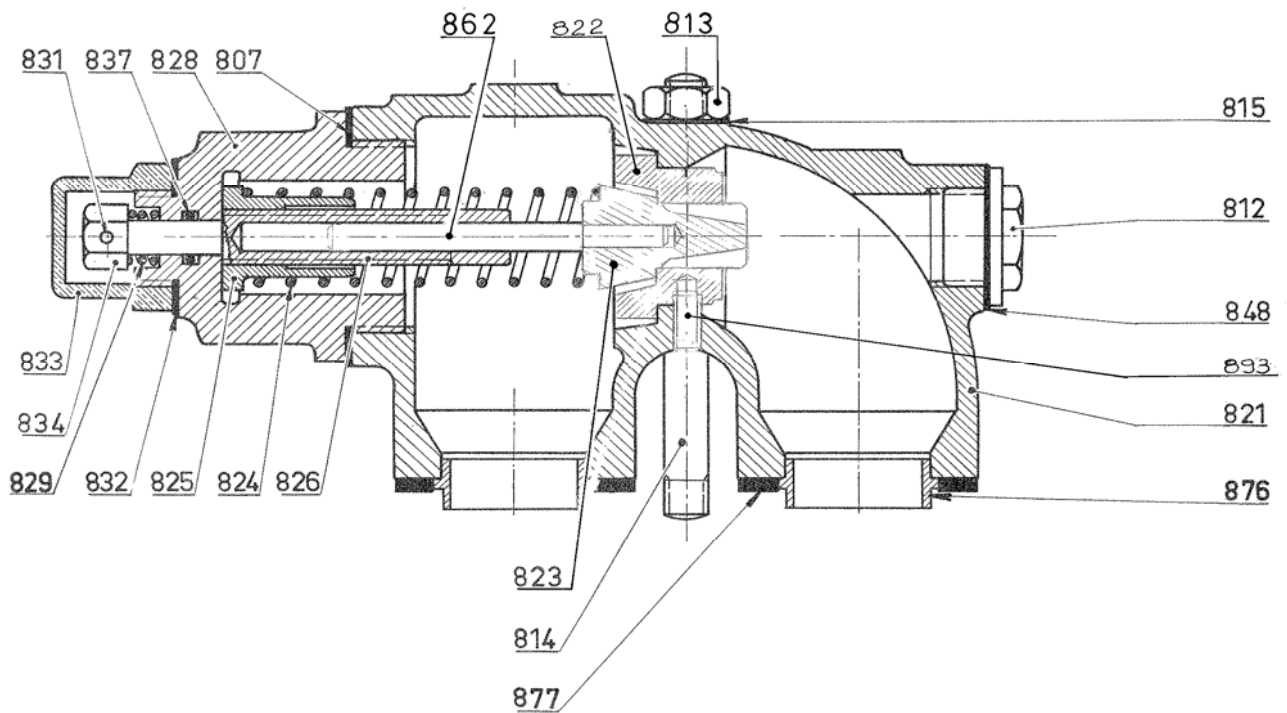
Reference			Description	Quantity		Article code	Wear parts
Ass.	Part	Available		Order	In Pump	AK O HP	
600		◆	Mechanical seal - Blocdir C/I VT	1		300054.00	•
600		◆	Mechanical seal - Blocdir C/I CVT	1		307539.01	•
600		◆	Mechanical seal - Blocdir HR VT	1		304290.00	•
600		◆	Mechanical seal - Blocdir HR CVT	1		308197.01	•
	610		Stationary seal face complete - Blocdir		(1)		
	604		Stationary seal face		(1)		
	605		Seal		(1)		
	697		Rotating part - Blocdir		(1)		
	612		Seal housing		(1)		
	613		Seal		(1)		
	614		Spring guide		(1)		
	615		Spring		(1)		
	616		Cage		(1)		
	619		Seal mounting tool (for CVT)		(1)		
700		◆	Ball bearings complete	1		300042.00	
	627	▲	Pin	1		200139	
	701		Bearing cage		(1)		
	703	▲	Ball bearing	1		212312	•
	705		Bearing cover		(1)		
	706		Screw		(4)		
	708		Grease nipple		(1)		
	721		Washer		(4)		
	797	◆	Ball bearing washers and gasket set	1		300148.00	
	704		Ring		(1)		
	707		Lip seal		(1)		
	717		Cage seal		(1)		
	731		Washer		(1)		
	733		Protection circlip		(1)		

CVT : FEP encapsulated FKM

**Mechanical seal :**

C/I : Carbon/stainless - HR : Tungsten carbide/tungsten carbide

(◆) Sets of parts or (▲) parts available to order.



Reference			Description	Quantity		Article code	Wear parts	
Ass.	Part	Available		Order	In Pump	AK O HP		
820		◆	<b>Bypass C/4 complete - FKM</b>	1		<b>306238.01</b>		
		870	◆	Bypass body complete	1		301742.00	
		812		Plug		(1)		
		821		Bypass body		(1)		
		848		Seal		(1)		
		824	▲	Spring n°4	1		201183	
		869	◆	Bypass cap and gasket	1		300174.00	
		832		Seal		(1)		
		833		Cap		(1)		
		878	◆	Centering set	1		300173.00	
		876		Centering piece		(2)		
		877		Centering gasket		(2)		
		897	◆	Adjusting screw/valve set - FKM	1		306242.01	•
		807		Seal		(1)		
		825		Spring guide		(1)		
		826		Adjusting screw		(1)		
	828		Nut		(1)			
	829		Spring		(1)			
	831		Pin		(1)			
	834		Adjustment nut		(1)			
	837		Seal		(1)			
	864	▲	Valve	1		201569		
	899	◆	Bypass gasket set - FKM	1		301631.00		
	807		Seal		(1)			
	829		Spring		(1)			
	831		Pin		(1)			
	832		Seal		(1)			
	837		Seal		(2)			
	848		Seal		(1)			
	877		Centering gasket		(2)			

(◆) Sets of parts or (▲) parts available to order.

Reference			Description	Quantity		Article code	Wear parts
Ass.	Part	Available		Order	In Pump	AK O HP	
VARIATIONS							
			<b>COMPLETE COMPENSATED DOUBLE BYPASS</b>	The body is different to the standard compensated bypass. The other parts are the same but doubled			
<b>820a</b>	870a 821a	◆ ◆	<b>Double bypass C/4 complete - FKM</b> Double bypass body complete Double bypass body	1 1	 (1)	<b>306240.01</b> 301745.00	
<b>849</b>	852 854 855	◆	<b>Complete stirrup</b> Stirrup Plug Seal	1	 (1) (2) (2)	<b>301633.01</b>	
To mount a bypass in place of a stirrup will require :							
	817 813 814 815	◆	Mounting kit Nut Stud Washer	1	 (2) (2) (2)	300121.00	

(◆) Sets of parts or (▲) parts available to order.

Keep this parts lists with Installation, Operation and Maintenance Instructions.

To order the required spare parts, indicate the appropriate CUM numbers.



Z.I. la Plaine des Isles - 2 rue des Caillottes F-89000 AUXERRE - FRANCE

Tel : +33 (0)3 86 49 86 30 • Fax : +33 (0)3 86 49 87 17

contact@mouvex.com • www.mouvex.com