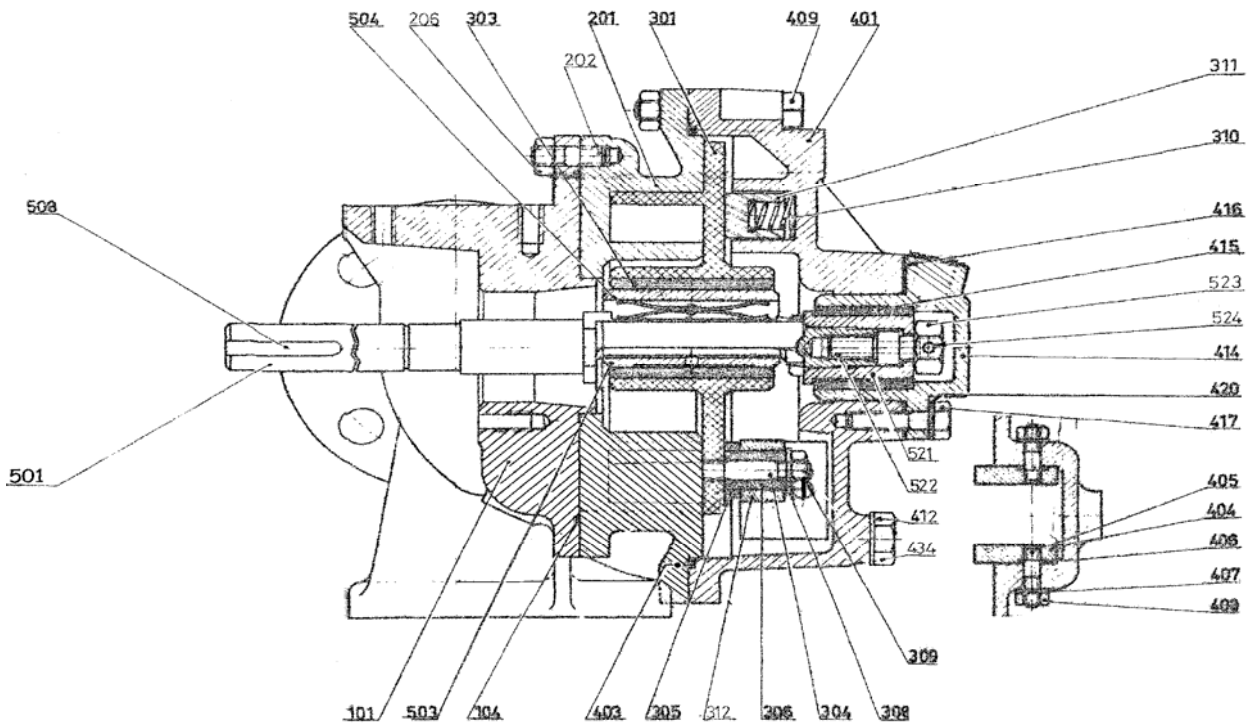


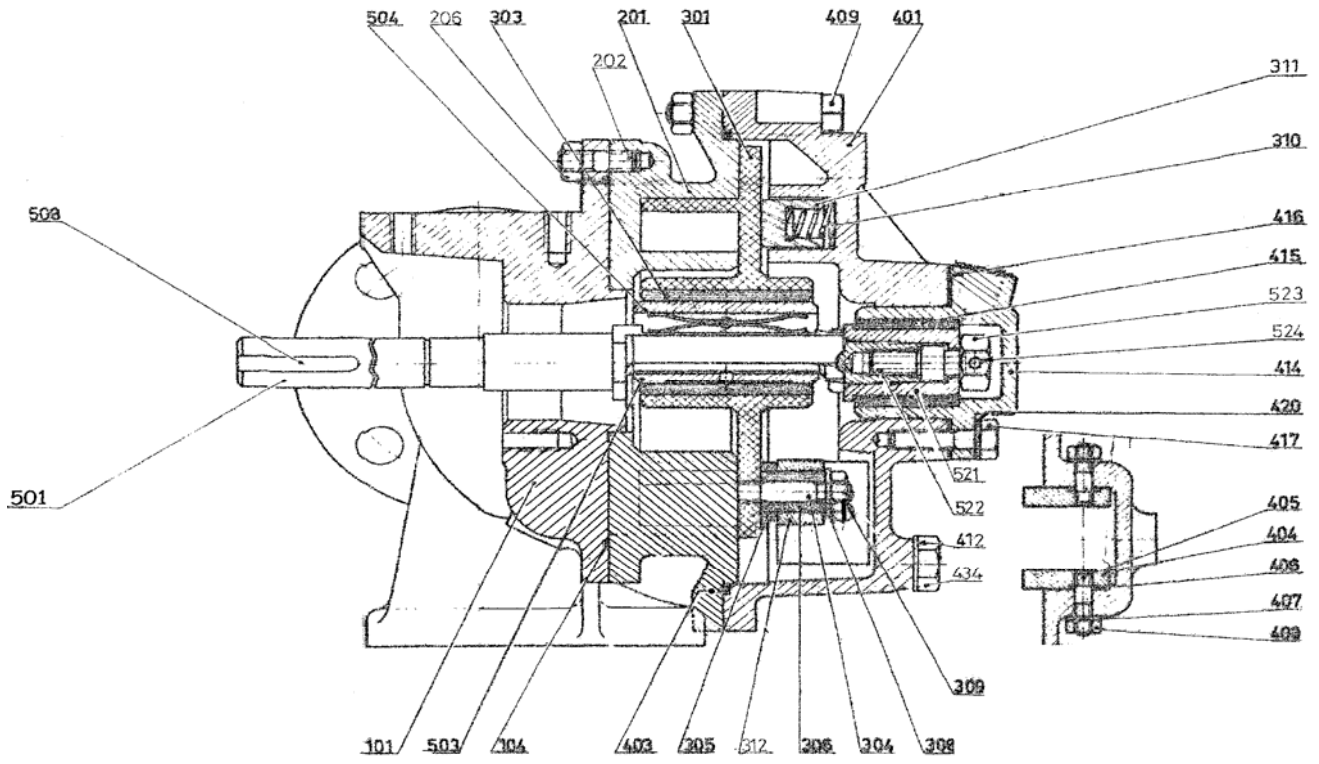
(See Instructions 1003-C00 for Installation, Operation and Maintenance)

Section	1003
Effective	November 2011
Replaces	September 2011



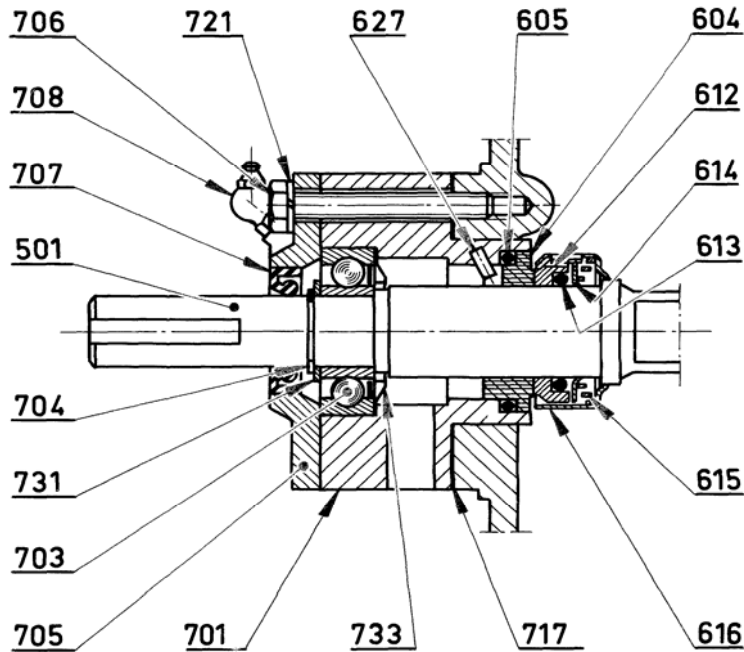
Reference			Description	Quantity		Article code		Wear parts
Ass.	Part	Available		Order	In Pump	AF O	AF I	
98		◆	Full set of screws	1		300477.00		
	202		Stud		(8)			
	206		Nut		(8)			
	409		Screw		(6)			
	409a		Nut		(6)			
	417		Screw		(4)			
	420		Washer		(4)			
99		◆	Full set of seals - FKM	1		300488.00		
99		◆	Full set of seals - FKM (Heating jacket)	1		305184.00		
	104		Gasket		(1)			
	403		Front cover seal		(1)			
	406		Seal		(2)			
	407		Washer		(2)			
	416		Gasket		(1)			
	1002		Seal		(1)			
100		◆	Main body, complete	1		300445.00	300446.00	
	101		Main body		(1)			
	817	◆	Mounting kit	1		300447.00		
	813		Nut		(2)			
	814		Stud		(2)			
	815		Washer		(2)			
200		◆	Cylinder, complete	1		300448.01	300449.00	•
	201		Cylinder		(1)			
	202		Stud		(8)			
	206		Nut		(8)			
300		◆	Complete piston - Bronze bushing	1		300451.00	300455.00	•
300		◆	Complete piston - Carbon bushing	1		308079.00	307667.00	•
300		◆	Complete piston (drilled) - Bronze bushing	1		310766.00	310770.00	•
300		◆	Complete piston (drilled) - Carbon bushing	1		310767.00	310769.00	•
	3010		Piston + Block pin		(1)			
	303	▲	Piston bushing (bronze)	1		201367		•
	303	▲	Piston bushing (carbon)	1		211653		•
	315		Screw (for drilled piston)		(1)			
	398	◆	Slide block, complete	1		305218.00	305219.01	
	305		Abutment (construction O)		(1)			
	308		Washer		(1)			
	309		Nut		(1)			
	307	◆	Slide block + bushing	1		300459.00	300460.01	•
	306		Bushing		(1)			
	312		Slide block		(1)			
	313		Pin (construction I)		(1)			

(◆) Sets of parts or (▲) parts available to order.



Reference			Description	Quantity		Article code		Wear parts	
Ass.	Part	Available		Order	In Pump	AF O	AF I		
399		◆	Guide block, complete	1		300462.00	300463.00		
			Spring		(3)				
				Piston rear spring seat		(3)			
400 460		◆	Complete front cover - FKM	1		300484.00	300485.00		
		◆	Complete front cover with jacket	1		305181.00	305182.00		
			401	Front cover		(1)			
			461	Jacketed front cover		(1)			
		◆	402	Front bushing set - FKM	1		300486.00	300487.00	•
		◆	402	Front bushing set - FKM with jacket	1		300492.00	305183.00	•
			404	Guide		(2)			
			405	Stud		(2)			
			406	Seal		(2)			
			407	Washer		(2)			
			408	Nut		(2)			
		411	◆	Front cover drain plug + seal	1		300036.00	300037.00	
		412		Seal		(1)			
	434		Drain plug		(1)				
	403	▲	Front cover seal - FKM	1		200834			
413 413		◆	Front cover bearing complete - Bronze bushing	1		312633.00	312635.00		
		◆	Front cover bearing complete - Carbon bushing	1		308080.00	308297.00		
			414	Front cover bearing		(1)			
		▲	415	Bearing bushing - Bronze	1		201388	•	
		▲	415	Bearing bushing - Carbon	1		211654	•	
			416	Gasket		(1)			
			417	Screw		(4)			
			420	Washer		(4)			
500		◆	Shaft Blocdir complete	1		300497.00	300498.00		
		▲	501	Shaft	1		219465	219466	
		▲	503	Piston bearing	1		203509	203510	•
		▲	508	Key	1		203854		
		▲	504	Spring	1		201397		
		◆	515	Complete sleeve	1		300501.00	300502.00	•
			521	Sleeve		(1)			
			522	Screw		(1)			
			523	Nut		(1)			
			524	Pin		(1)			

(◆) Sets of parts or (▲) parts available to order.



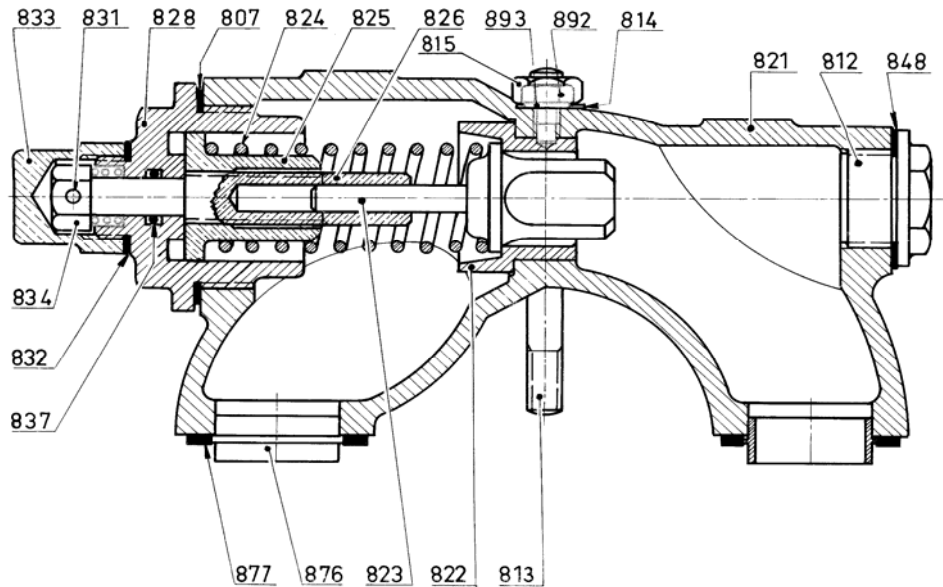
Reference			Description	Quantity		Article code		Wear parts
Ass.	Part	Available		Order	In Pump	AF O	AF I	
600		◆	Mechanical seal - Bloccdir C/I VT	1		300373.00		•
600		◆	Mechanical seal - Bloccdir C/I CVT	1		307526.00		•
600		◆	Mechanical seal - Bloccdir HR VT	1		302946.00		•
600		◆	Mechanical seal - Bloccdir HR CVT	1		308198.00		•
	610		Stationary seal face complete - Bloccdir		(1)			
	604		Stationary seal face		(1)			
	605		Seal		(1)			
	697		Rotating part - Bloccdir		(1)			
	612		Seal housing		(1)			
	613		Seal		(1)			
	614		Spring guide		(1)			
	615		Spring		(1)			
	616		Cage		(1)			
	619		Seal mounting tool (for CVT)		(1)			
700		◆	Ball bearings complete	1		300503.00 300504.00		
	627	▲	Pin	1		200139		
	701		Bearing cage		(1)			
	703	▲	Ball bearing	1		212314		•
	705		Bearing cover		(1)			
	706		Screw		(4)			
	708		Grease nipple		(1)			
	721		Washer		(4)			
	797	◆	Ball bearing washers and gasket set	1		300505.00 300506.00		
	704		Ring		(1)			
	707		Lip seal		(1)			
	717		Cage seal		(1)			
	731		Washer		(2)			
	733		Protection circlip		(1)			

CVT : FEP encapsulated FKM

Mechanical seal :

C/I : Carbon/stainless - HR : Tungsten carbide/tungsten carbide

(◆) Sets of parts or (▲) parts available to order.



Reference			Description	Quantity		Article code		Wear parts
Ass.	Part	Available		Order	In Pump	AF O	AF I	
820		◆	Bypass C/3 complete - FKM	1		302508.00	308581.00	
820		◆	Bypass C/4 complete - FKM	1		306232.00	308585.00	
	870	◆	Bypass body complete	1		300559.00	300560.00	
	812		Plug		(1)			
	821		Bypass body		(1)			
	848		Seal		(1)			
	871		Plug		(2)			
	872		Seal		(2)			
	824	▲	Spring n°3	1		201182		
	824	▲	Spring n°4	1		201183		
	868	◆	Seat (construction I)			300562.00		
	822		Seat		(1)			
	892		Seal		(1)			
	893		Screw		(1)			
	869	◆	Bypass cap and gasket	1		300541.00		
	832		Seal		(1)			
	833		Cap		(1)			
	878	◆	Centering set	1		300539.00	300540.00	
	876		Centering piece		(2)			
	877		Centering gasket		(2)			
	897	◆	Adjusting screw/valve set - FKM	1		302506.00	306997.00	•
	807		Seal		(1)			
	825		Spring guide		(1)			
	826		Adjusting screw		(1)			
	828		Nut		(1)			
	829		Spring		(1)			
	831		Pin		(1)			
	834		Adjustment nut		(1)			
	837		Seal		(1)			
	823	▲	Compensated valve	1		201447		
	899	◆	Bypass gasket set - FKM	1		303248.00		
	807		Seal		(1)			
	829		Spring		(1)			
	831		Pin		(1)			
	832		Seal		(1)			
	837		Seal		(1)			
	846		Seal		(1)			
	848		Seal		(1)			
	877		Centering gasket		(2)			

(◆) Sets of parts or (▲) parts available to order.

Reference			Description	Quantity		Article code		Wear parts
Ass.	Part	Available		Order	In Pump	AF O	AF I	
VARIATIONS								
COMPLETE COMPENSATED DOUBLE BYPASS								
The body is different to the standard compensated bypass. The other parts are the same but doubled								
820a		◆	Double bypass C/3 complete - FKM	1		306942.00	308597.00	
820a		◆	Double bypass C/4 complete - FKM	1		306945.00	306996.00	
	870a		Double bypass body complete	1		300569.00	300570.00	
	821a	◆	Double bypass body		(1)			
849		◆	Complete stirrup	1		301647.01		
	852		Stirrup		(1)			
	853		Stud or Screw		(2)			
	854		Plug		(2)			
	855		Seal		(2)			
To mount a bypass in place of a stirrup will require :								
	817	◆	Mounting kit	1		300447.00		
	813		Nut		(2)			
	814		Stud		(2)			
	815		Washer		(2)			

(◆) Sets of parts or (▲) parts available to order.

Keep this parts lists with Installation, Operation and Maintenance Instructions.

To order the required spare parts, indicate the appropriate CUM numbers.



Z.I. la Plaine des Isles - 2 rue des Caillottes F-89000 AUXERRE - FRANCE
 Tel : +33 (0)3 86 49 86 30 • Fax : +33 (0)3 86 49 87 17
 contact@mouvex.com • www.mouvex.com