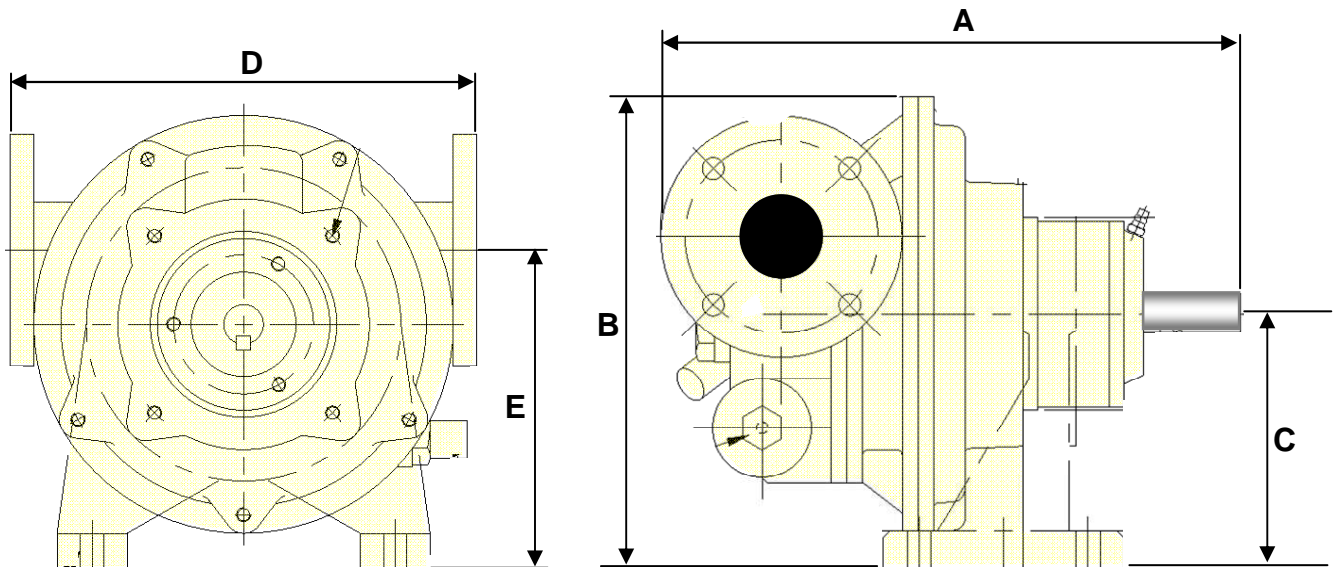


CHARACTERISTICS

	STANDARD	AVAILABLE OPTIONS
Technology	Eccentric Disc Mouvex®	
Maximum Flow rate at 1 cSt m³/h (GPM)	2.3 (10.13)	
Cubic capacity L (cu.in)	0.0574 (3.5)	
Internal relief valve	With	Without
Rotation	Reversible	
Ports	Flanges	
Heating	None	
Dimensions mm (in.)	A 240 (9.45)	
	B 195 (7.68)	
	C 105 (4.14)	
	D 200 (7.87)	
	E 137 (5.39)	
Weight kg (lbs)	15 (33.07)	



OPERATING LIMITS

	STANDARD MATERIALS
Minimum temperature °C (°F)	-10 (14)
Maximum temperature °C (°F)	150 (302)
Maximum viscosity cSt (SSU)	15000 (69500)
Maximum differential pressure bar (psi)	3.5 (51)
Maximum speed (rpm)	750

MATERIALS OF CONSTRUCTION

Part No	PART NAME	STANDARD MATERIALS	AVAILABLE OPTIONS
101	Main Body	Cast iron + Kanigen (1)	
201	Cylinder	Ni-Resist Cast iron	
301	Disc	Stainless steel	
401	Front cover	Cast iron + Kanigen (1)	
501	Shaft	Stainless steel	
	Bushings	Carbon	Bronze
	Static O-rings	FKM	EPDM
	Mechanical seal	Carbon/stainless steel/FKM	Carbon/stainless steel/FEP Bronze/stainless steel/FKM Bronze/stainless steel/FEP Tungsten carbide/Tung. C / FKM Tungsten carbide/Tung. C / FEP

(1) Kanigen: 50µm coating. Nickel 92%, Phosphor 7%, Bismuth & Zinc 1%

