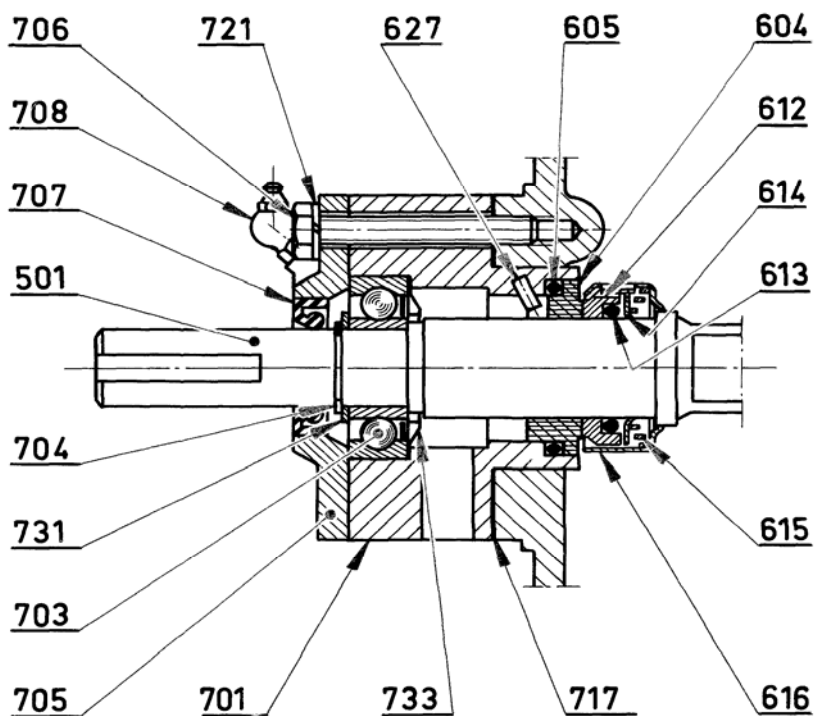


Reference			Description	Quantity		Article code		Wear parts
Ass.	Part	Available		Order	In Pump	AD O	AD I	
300		◆	Complete piston - Bronze bushing	1		300322.00	300325.00	•
300		◆	Complete piston - Carbon bushing	1		308313.00	308312.00	•
300		◆	Complete piston (drilled) - Bronze bushing	1		311176.00	311179.00	•
300		◆	Complete piston (drilled) - Carbon bushing	1		311188.00	311189.00	•
	3010		Piston + Block pin		(1)			
	303	▲	Piston bushing (bronze)	1		201365		•
	303	▲	Piston bushing (carbon)	1		211736		•
	315		Screw (for drilled piston)		(1)			
	398	◆	Slide block, complete	1		305215.00	300327.01	
	308		Washer		(1)			
	309		Nut		(1)			
	307	◆	Slide block + bushing	1		300329.00	300330.01	•
	306		Bushing		(1)			
	312		Slide block		(1)			
	313		Pin (construction I)		(1)			
399		◆	Guide block, complete	1		300332.00	300333.00	
	310		Spring		(3)			
	311		Piston rear spring seat		(3)			
400		◆	Complete front cover - FKM	1		300346.00	300347.00	
	401		Front cover		(1)			
	402	◆	Front bushing set - FKM	1		300348.00	300349.00	•
	404		Guide		(2)			
	405		Stud		(2)			
	406		Seal		(2)			
	407		Washer		(2)			
	408		Nut		(2)			
	403	▲	Front cover seal - FKM	1		200876		
500		◆	Shaft Bloaddir complete	1		312268.00	312269.00	
	505	▲	Shaft	1		219461	219463	
	503	▲	Piston bearing	1		203507	203508	•
	508	▲	Key	1		219458	204523	
	504	▲	Spring	1		201396	201396	

(◆) Sets of parts or (▲) parts available to order.



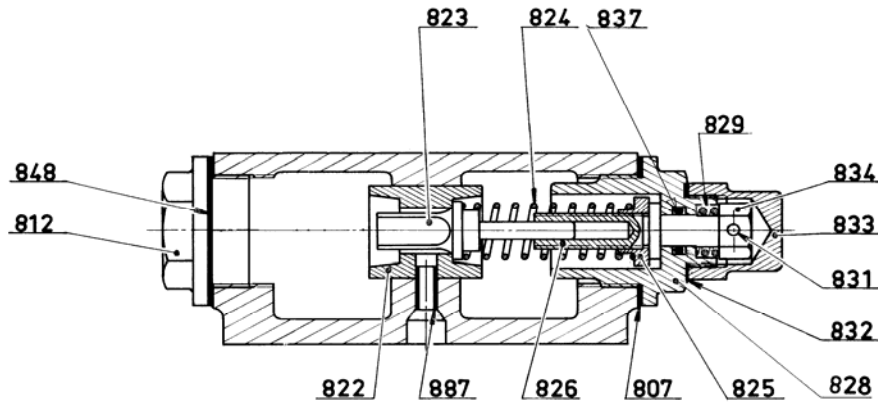
Reference			Description	Quantity		Article code		Wear parts
Ass.	Part	Available		Order	In Pump	AD O	AD I	
600		◆	Mechanical seal - Bloccdir C/I VT	1		300373.00		•
600		◆	Mechanical seal - Bloccdir C/I CVT	1		307526.00		•
600		◆	Mechanical seal - Bloccdir HR VT	1		302946.00		•
600		◆	Mechanical seal - Bloccdir HR CVT	1		308198.00		•
	610		Stationary seal face complete - Bloccdir		(1)			
	604		Stationary seal face		(1)			
	605		Seal		(1)			
	697		Rotating part - Bloccdir		(1)			
	612		Seal housing		(1)			
	613		Seal		(1)			
	614		Spring guide		(1)			
	615		Spring		(1)			
	616		Cage		(1)			
	619		Seal mounting tool (for CVT)		(1)			
700		◆	Ball bearings complete	1		300363.00 300364.00		
	627	▲	Pin	1		200139		
	701		Bearing cage		(1)			
	703	▲	Ball bearing	1		200546		•
	705		Bearing cover		(1)			
	706		Screw		(3)			
	708		Grease nipple		(1)			
	721		Washer		(3)			
	797	◆	Ball bearing washers and gasket set	1		300365.00 300366.00		
	704		Ring		(1)			
	707		Lip seal		(1)			
	717		Cage seal		(1)			
	731		Washer		(1)			
	733		Protection circlip		(1)			

CVT : FEP encapsulated FKM

Mechanical seal :

C/I : Carbon/stainless - HR : Tungsten carbide/tungsten carbide

(◆) Sets of parts or (▲) parts available to order.



Reference			Description	Quantity		Article code		Wear parts
Ass.	Part	Available		Order	In Pump	AD O	AD I	
820		◆	Bypass C/3 complete - FKM	1		305804.00	308546.00	
820		◆	Bypass C/4 complete - FKM	1		305807.00	308549.00	
	824	▲	Spring n°3	1		201175		
	824	▲	Spring n°4	1		201176		
	812	▲	Plug	1		204127	204568	
	848		Seal		(1)			
	868	◆	Seat complete	1		300422.00		
	822		Seat		(1)			
	887		Pin		(1)			
	869	◆	Bypass cap and gasket	1		300409.00		
	832		Seal		(1)			
	833		Cap		(1)			
	897	◆	Adjusting screw/valve set - FKM	1		305796.00	308394.00	•
	807		Seal		(1)			
	825		Spring guide		(1)			
	826		Adjusting screw		(1)			
	828		Nut		(1)			
	829		Spring		(1)			
	831		Pin		(1)			
	834		Adjustment nut		(1)			
	837		Seal		(1)			
	823		Compensated valve		(1)			
	899	◆	Bypass gasket set - FKM	1		300428.00		
	807		Seal		(1)			
	829		Spring		(1)			
	831		Pin		(1)			
	832		Seal		(1)			
	837		Seal		(1)			
	846		Seal		(1)			
	848		Seal		(1)			
VARIATIONS								
849		◆	Complete stirrup	1		300435.00	300437.00	
	811		Bypass plug		(1)			
	812		Plug		(2)			
	848		Seal		(2)			
	887		Pin		(1)			

(◆) Sets of parts or (▲) parts available to order.

Keep this parts lists with Installation, Operation and Maintenance Instructions.

To order the required spare parts, indicate the appropriate CUM numbers.



Z.I. la Plaine des Isles - 2 rue des Caillottes F-89000 AUXERRE - FRANCE

Tel : +33 (0)3 86 49 86 30 • Fax : +33 (0)3 86 49 87 17

contact@mouvex.com • www.mouvex.com