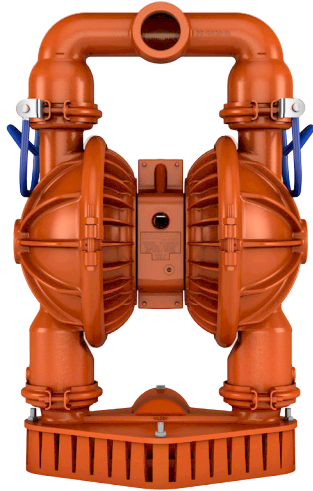


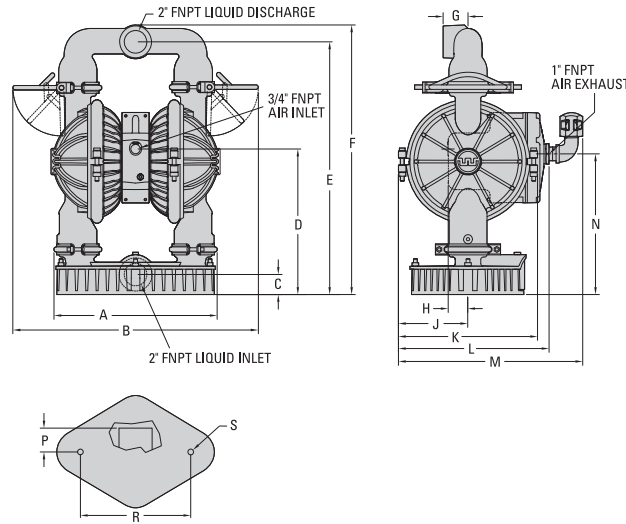
PS8 STALLION® ORIGINAL™ METAL PUMP

51 mm (2") Pump
Maximum Flow Rate:
634 lpm (168 gpm)



DIMENSIONAL DRAWING

PS8 Stallion Metal



DIMENSIONS

ITEM	METRIC (mm)	STANDARD (inch)
A	406	16.0
B	612	24.1
C	51	2.0
D	362	14.3
E	630	24.8
F	671	26.4
G	61	2.4
H	48	1.9
J	173	6.8
K	345	13.6
L	375	14.8
M	459	18.1
N	350	13.8
P	58	2.3
R	274	10.8
S	15 DIA.	0.6 DIA.

LW0262 REV. B

PUMP DATA

Specifications:

Height..... 671 mm (26.4")
 Width..... 612 mm (24.1")
 Depth..... 59 mm (18.1")
 Ship Weight..... Aluminum 36 kg (79 lb)
 Ductile Iron 49 kg (109 lb)
 Air Inlet 19 mm (3/4")
 Inlet..... 51 mm (2")
 Outlet..... 51 mm (2")

PS8 STALLION® ORIGINAL™ METAL PUMP

PERFORMANCE

**PS8 STALLION
EZ-INSTALL TPE-FITTED**

Max. Flow Rate..... 634 lpm (168 gpm)
 Max. Inlet Pressure 8.6 bar (125 psig)
 Max. Size Solids 19 mm (3/4")
 Max. Suction Lift 4.7 m Dry (17.5')
 9.0 m Wet (29.5')

