

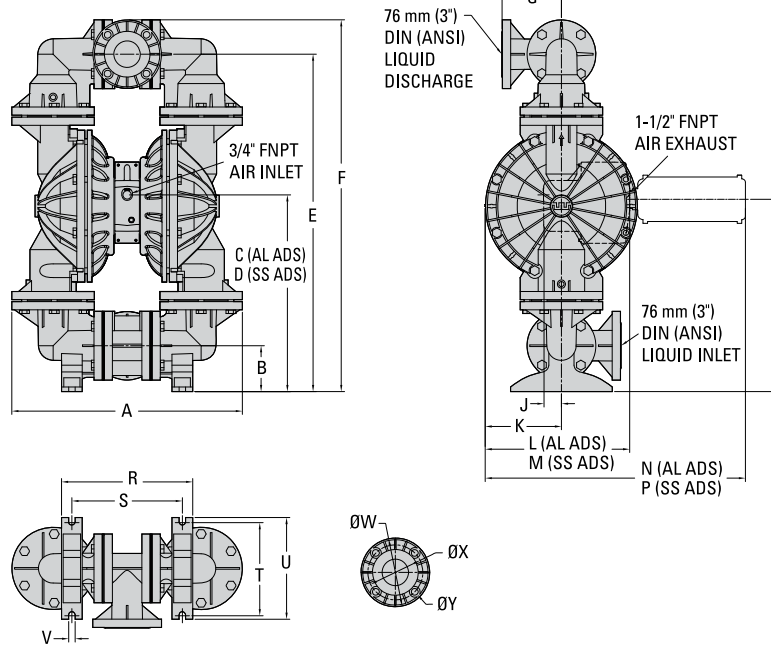
PS1500 ADVANCED ALUMINUM PUMP

76 mm (3") Pump
Maximum Flow Rate:
1045 lpm (276 gpm)



DIMENSIONAL DRAWING

PS1500 Aluminum



DIMENSIONS

ITEM	METRIC (mm)	STANDARD (inch)
A	615	24.2
B	127	5.0
C	545	21.5
D	551	21.7
E	934	36.8
F	1031	40.6
G	165	6.5
H	533	21.0
J	48	1.9
K	211	8.3
L	400	15.8
M	388	15.3
N	721	28.4
P	709	27.9
R	363	14.3
S	307	12.1
T	259	10.2
U	282	11.1
V	18	0.7
	DIN (mm)	ANSI (inch)
W	200 DIA.	7.5 DIA.
X	160 DIA.	6.0 DIA.
Y	18 DIA.	0.8 DIA.

LW0256 REV. A

PUMP DATA

Specifications:

Height 1031 mm (40.6")
 Width 615 mm (24.2")
 Depth 421 mm (16.6")
 Est. Ship Weight.....
 Aluminum 101 kg (223 lb)
 Air Inlet 3/4"
 Liquid Inlet..... 76 mm (3")
 Liquid Outlet..... 76 mm (3")

PS1500 ADVANCED ALUMINUM PUMP

PERFORMANCE

PS1500 ALUMINUM EZ-INSTALL TPE-FITTED

Max. Flow Rate 1026 lpm (271 gpm)
 Max. Inlet Pressure 8.6 bar (125 psi)
 Max. Solids Passage..... 12.7 mm (1/2")
 Max. Suction Lift.....6.4 m Dry (21.1')
 9.0 m Wet (29.5')

