

Spec Sheet

H800
HIGH PRESSURE PUMP

H800 HIGH PRESSURE METAL PUMP



51 mm (2") Pump
Maximum Flow Rate:
360 lpm (95 gpm)



PUMP DATA

Specifications:

- Height: 759 mm (29.9")
- Width: 490 mm (19.3")
- Depth: 546 mm (21.5")
- Air Inlet: 19 mm (3/4" FNPT)
- Liquid Inlet: 51 mm (2")
- Liquid Outlet: 51 mm (2")

Temperature Limits:

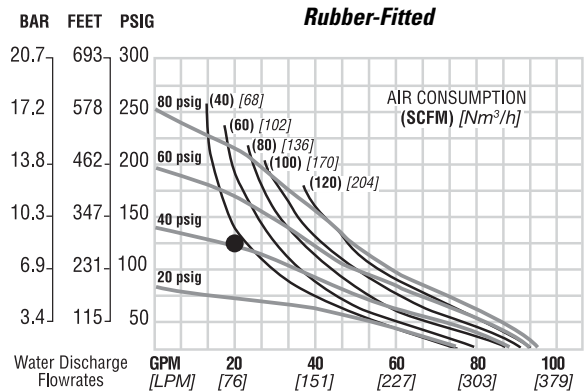
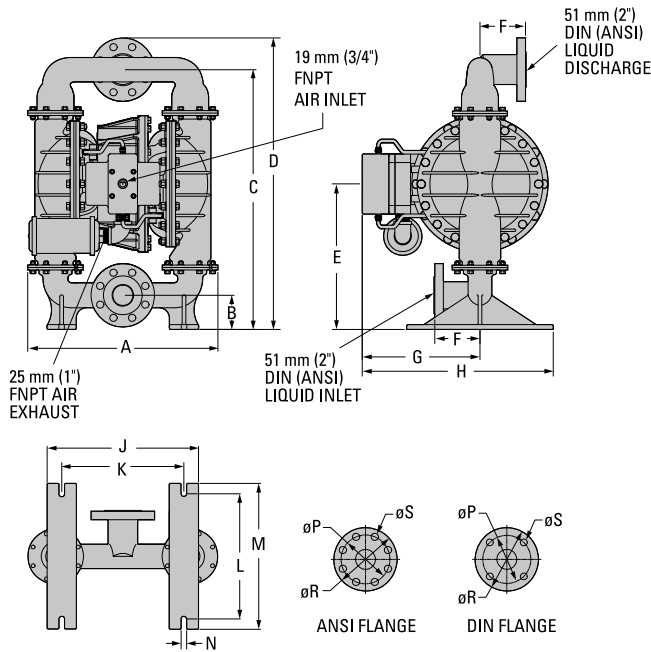
Wil-Flex™ -40°C to 107.2°C -40°F to 225°F

Wetted Material:

- 316L Stainless Steel: 183 kg (283 lbs)
- Ductile Iron: 183 kg (283 lbs)

PERFORMANCE

- Max. Flow: TPE 360 lpm (95 gpm)
- Max. Pressure: 5.9 bar (85 psig)
- Max. Solids Passage: 12.7 mm (1/2")
- Max. Suction Lift (wet): TPE 9.0 m (29.5')
- (dry): TPE 3.7 m (12.0')



ITEM	Metric (mm)	Standard (inch)	ITEM	Metric (mm)	Standard (inch)
A	490	19.3	M	379	14.9
B	89	3.5	N	15	0.6
C	678	26.7			
D	760	29.9			
E	379	14.9	P	125 DIA.	4.9 DIA.
F	119	4.7	R	165 DIA.	6.5 DIA.
G	307	12.1	S	18 DIA.	.7 DIA.
H	498	19.6			
J	394	15.5			
K	318	12.5			
L	325	12.8			