



Stainless Steel Pumps

Model DW VOX Submersible Vortex Pumps



Specifications

- Submersible pump with vortex impeller
- Maximum solids handling: 50 mm
- Maximum liquid temperature: 40 °C
- Maximum submergence: 10 m

Materials

- Pump casing: 304 Stainless Steel
- Impeller: 304 Stainless Steel
- Casing cover: 304 Stainless Steel
- Shaft: 303 Stainless Steel
- Seal Cover: 304 Stainless Steel
- Mechanical seal: Double mechanical seal in oil lubricated chamber, Silicon Carbide lower faces, Carbon/Ceramic upper faces.

Motor Data

- Air filled, dry submersible, 2 pole, 50 Hz
- Insulation class F
- IP68 protection
- 3 Phase - 400 Volt, 1 Phase - 230 Volt
- In built overload protection for 1 Phase

Range

- 50 mm Ø discharge
- 0.55 to 1.5 kW
- Single phase (up to 1.1 kW), automatic or manual versions
- Three phase, manual version only

Supply

- 10 m of cable (without plug)

Accessories

- Quick Discharge Connector (QDC) available

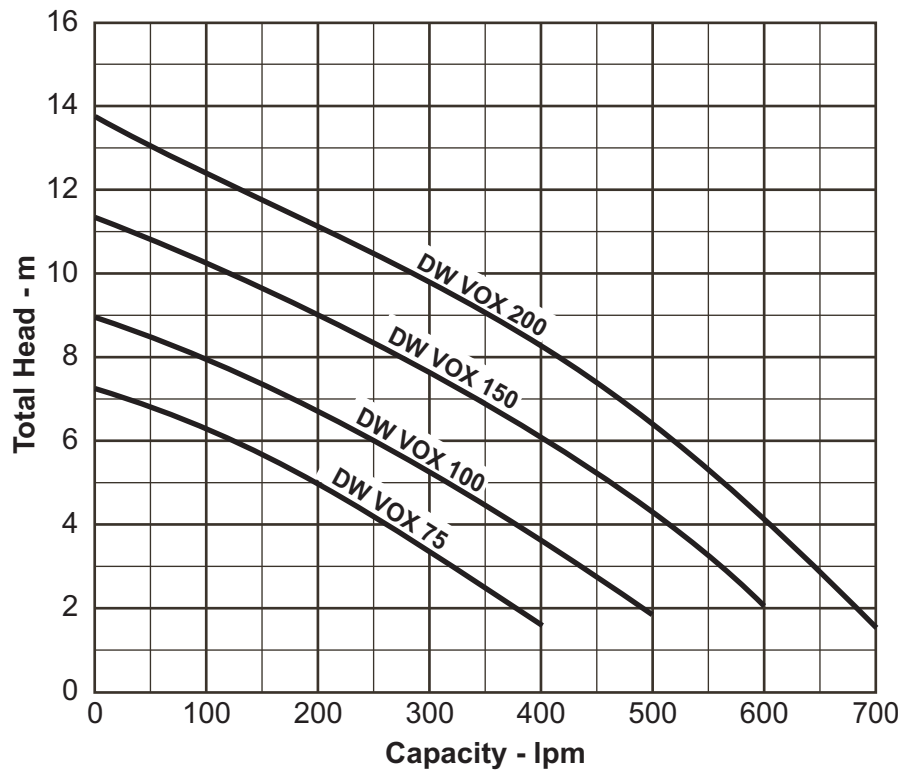
Submersible pump with vortex impeller able to handle soft and fibrous solids with 50 mm sphere clearance. All stainless steel construction, with double mechanical seal in oil bath.

Performance Curve

Synchronous Speed: 3000 rpm

Water temp: 20 °C

Applicable standard of test : ISO 9906 Annex A



Model Code

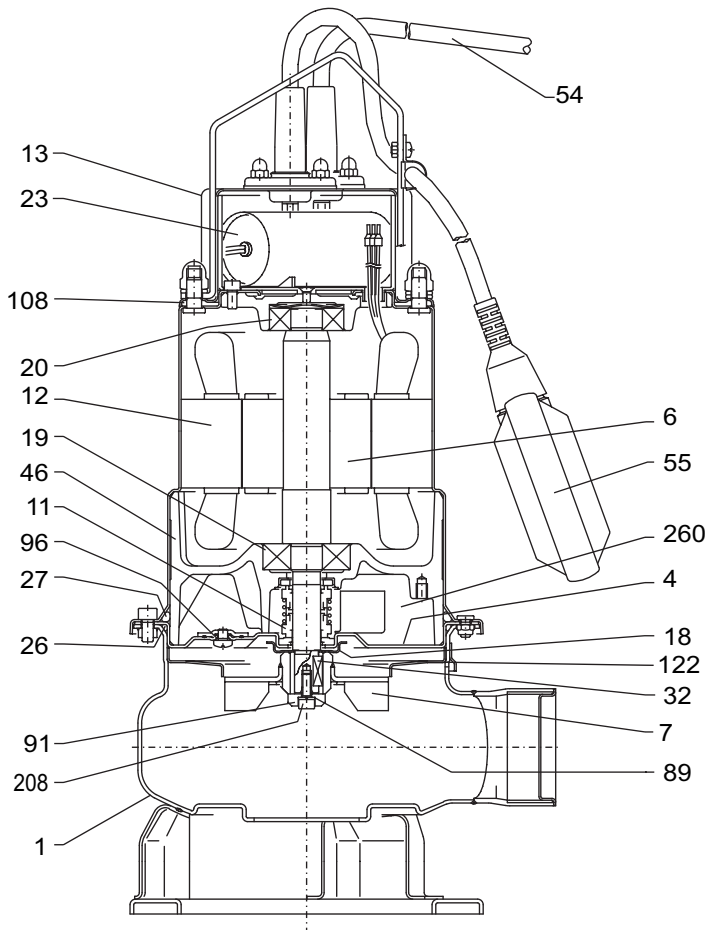
DW VOX 150 M
 DW VOX 100 M A — 1 phase, Manual (M - Monophase)
 DW VOX 200 — 1 phase, Automatic (A - Automatic)
 (blank) — 3 phase, Manual
 "Size" 75 = 0.55 kW, 100 = 0.75 kW, 150 = 1.1 kW, 200 = 1.5 kW

Performance Table

Pump Model	Motor Output	Discharge Ø mm	Full Load Current		Capacitor (1 Phase models only)	Capacity - lpm								
			1 Phase 230 V	3 Phase 400 V		0	100	200	300	400	500	600	700	
DW VOX 75	0.55 kW	50 mm	3.9 A	1.5 A	20 µF	7.3	6.3	5.0	3.5	1.6				
DW VOX 100	0.75 kW	50 mm	5.9 A	2.1 A	25 µF	9.0	7.9	6.7	5.3	3.7	1.9			
DW VOX 150	1.1 kW	50 mm	7.3 A	2.8 A	31.5 µF	11.4	10.2	9.0	7.6	6.1	4.1	2.1		
DW VOX 200	1.5 kW	50 mm	—	3.6 A	—	13.8	12.5	11.2	9.8	8.3	6.4	4.2	1.6	

Sectional Drawing

Model DW VOX



No.	Description	Material	Qty.
1	Casing	304 Stainless Steel	1
4	Casing cover	304 Stainless Steel	1
6	Shaft with rotor [#]	303 Stainless Steel	1
7	Impeller	304 Stainless Steel	1
11	Mechanical seal	SiC:SiC/Carb:Cer/NBR	1
12	Motor frame with stator	-	1
13	Motor cover	304 Stainless Steel	1
18	Mechanical seal protection	304 Stainless Steel	1
19	Lower side ball bearing	Sealed Ball Bearing	1
20	Upper side ball bearing	Sealed Ball Bearing	1
23	Capacitor [1]	-	1
26	O-Ring	NBR Rubber	1
27	O-Ring	NBR Rubber	1
32	Impeller key	304 Stainless Steel	1
46	Bearing housing	G20 Cast Iron	1
54	Power cable	H07RN-F	1
55	Float switch [2]	-	1
89	Washer (spring)	304 Stainless Steel	1
91	Impeller washer	304 Stainless Steel	1
96	O-Ring	NBR Rubber	3
108	Cover gasket	NBR Rubber	1
122	Impeller protection ring [3]	304 Stainless Steel	1
208	Impeller screw	304 Stainless Steel	1
260	Oil	Esso MARCOL 152	385 ml

- refers to pump side of shaft material

1 - only for single phase versions

2 - only for automatic single phase versions

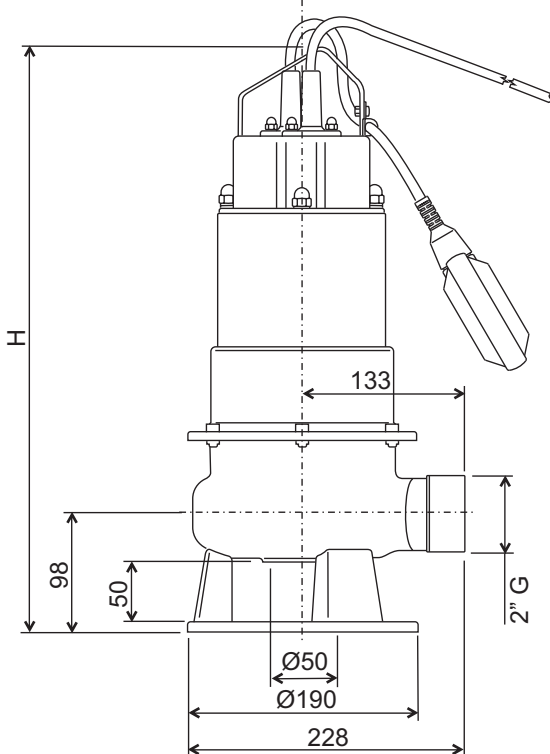
3 - for sizes DW Vox 75 & 100 only

Dimensions

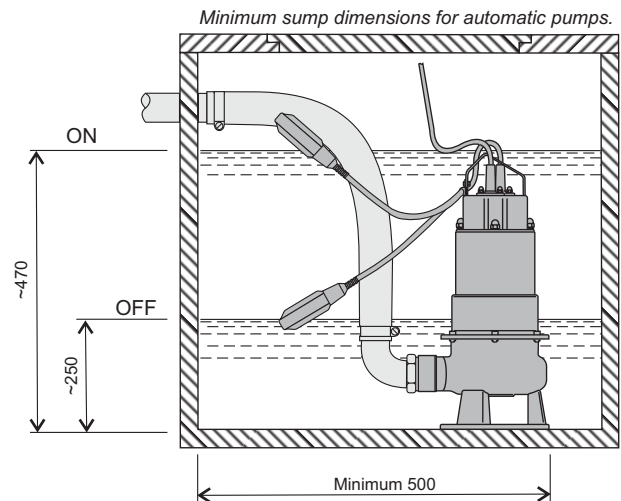
Model DW VOX

Units: mm unless otherwise specified

[1] single phase [2] three phase



Pump Model	Dimensions		Approx. Weight kg
	H [1]	H [2]	
DW VOX 75	485	485	12
DW VOX 100	515	485	13
DW VOX 150	515	515	14
DW VOX 200	—	515	14



Specifications subject to change without notice