



**Stainless Steel Pumps**

# Model **BEST ONE VOX** Domestic Submersible Sump Pumps

**Best One Vox MA**  
Automatic pump with Float Switch



All Stainless Steel with Mechanical Seal

With Vortex Impeller

### Specifications

- Submersible pump with semi vortex impeller
- Maximum solids handling 20 mm
- Maximum liquid temperature: 50 °C
- Maximum submergence: 5 m

### Materials

- Pump casing: 304 Stainless Steel
- Impeller: 304 Stainless Steel
- Outer casing: 304 Stainless Steel
- Shaft: 303 Stainless Steel
- Motor frame: 304 Stainless Steel
- Motor Cap: 304 Stainless Steel
- Seal: Carbon/Ceramic Mechanical Seal in oil lubricated chamber, Upper Lip Seal

### Motor Data

- Air filled, dry submersible, 2 pole, 50 Hz
- Insulation class F
- IP68 protection
- 1 Phase - 230 Volt
- In built overload protection

### Range

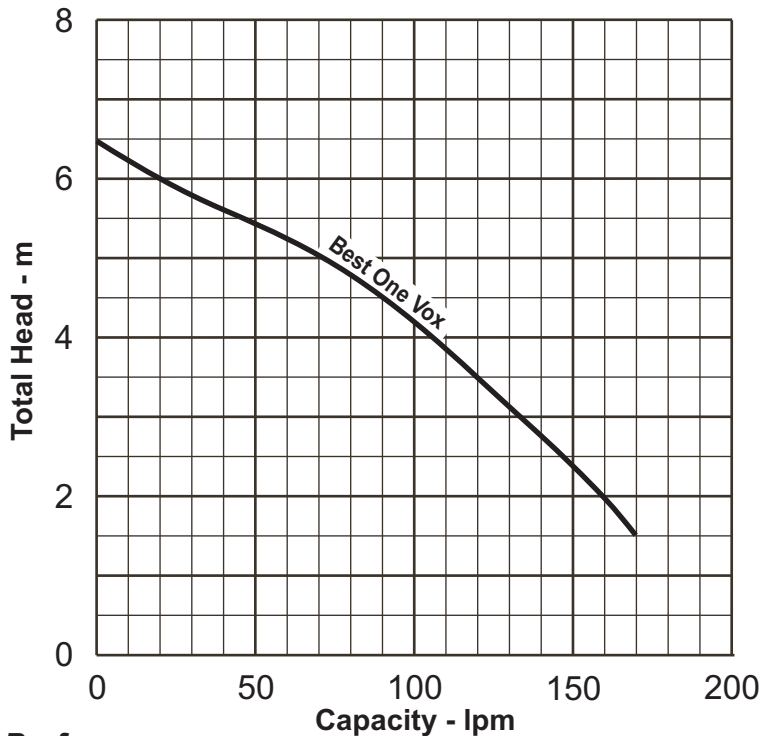
- 32 mm Ø discharge
- 0.25 kW
- Single phase, automatic or manual versions

### Supply

- 5 m of cable with 3 pin plug

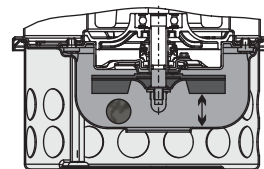
Domestic sump pump with a vortex impeller that can handle soft solids. Manufactured in 304 stainless steel and with a mechanical shaft seal for reliability. Suitable for many light dewatering applications, including:- • draining wells, basements, cellars, etc. • emptying of tanks & drums • general transfer of water.

### Performance Curve



**Best One Vox M**  
Manual Pump

### Vortex Impeller



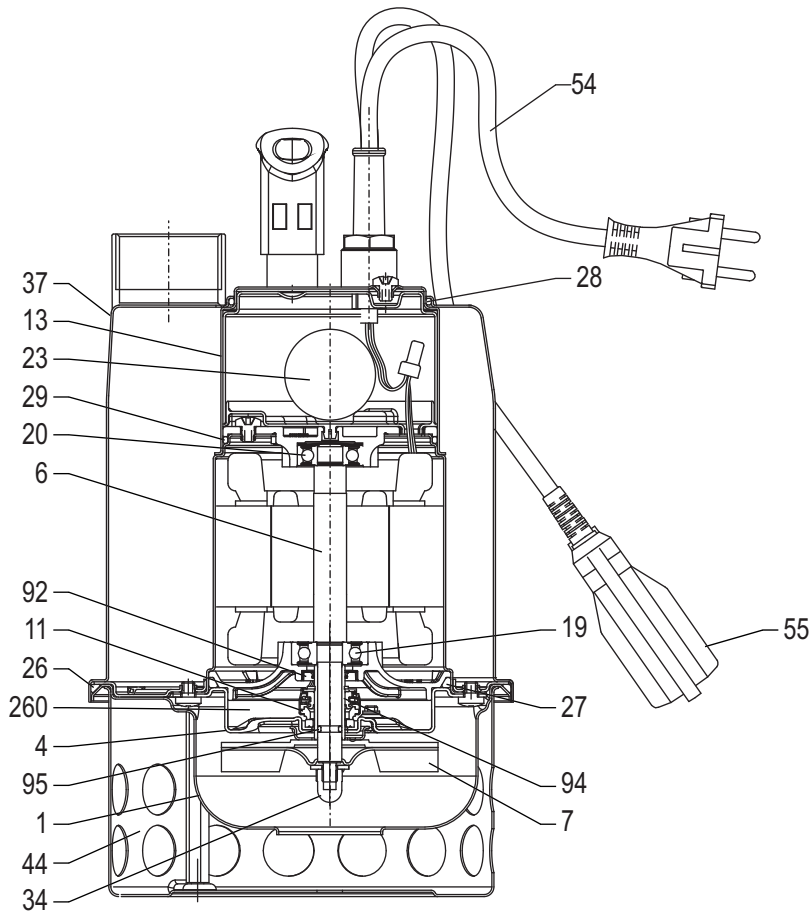
Vortex impeller design has large clearance between impeller and casing which allows for the passing of larger solids without blocking.

### Performance Table

Pump Model	Motor Output	Discharge Ø mm	Power Supply	Full Load Current	Capacitor	Capacity - lpm						
						0	20	40	80	120	160	170
<b>Best One Vox</b>	0.25 kW	32 mm	230 V, 50 Hz, 1 PH	2.2 A	8 µF	6.5	6.0	5.6	4.8	3.5	2.0	1.5

# Sectional Drawing

Model **BEST ONE VOX**



**Best One Vox MA**

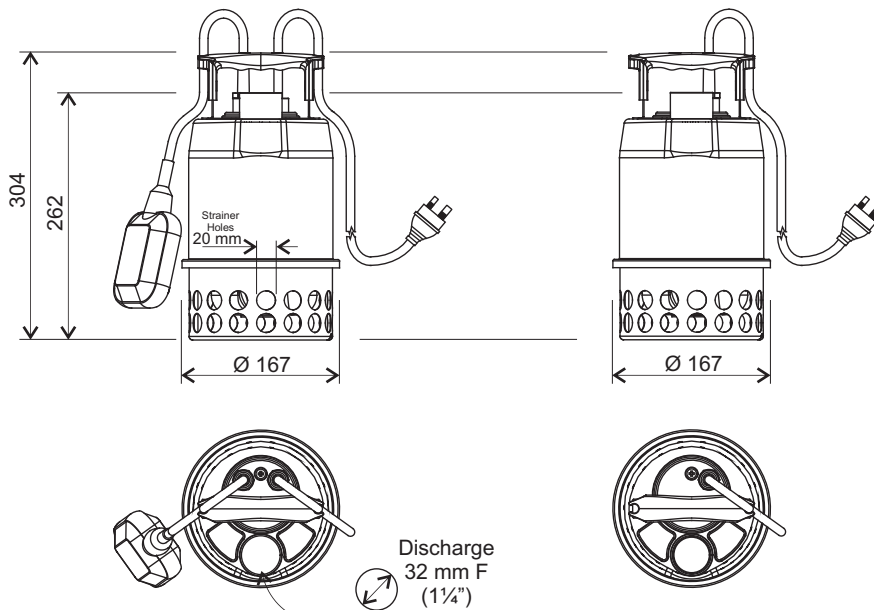
No.	Description	Material	Qty.
1	Casing	304 Stainless Steel	1
4	Casing cover	304 Stainless Steel	1
6	Shaft with rotor [#]	303 Stainless Steel	1
7	Impeller	304 Stainless Steel	1
11	Mechanical seal	Carbon/Ceramic/NBR	1
13	Motor cover	304 Stainless Steel	1
19	Lower bearing	Sealed Ball Bearing	1
20	Upper bearing	Sealed Ball Bearing	1
23	Capacitor	-	1
26	O-Ring	NBR Rubber	1
27	O-Ring	NBR Rubber	1
28	O-Ring	NBR Rubber	1
29	O-Ring	NBR Rubber	1
34	Impeller nut	303 Stainless Steel	1
37	Outer casing	304 Stainless Steel	1
44	Strainer	304 Stainless Steel	1
54	Submersible power cable	H05W-F	1
55	Float switch (for MA version only)		1
92	Lip seal	NBR Rubber	1
94	Shaft sleeve	Ceramic coated 303 S/Steel	1
95	O-Ring	NBR Rubber	1
260	Oil	Esso MARCOL 152	40 ml

# - refers to pump side of shaft material

# Dimensions

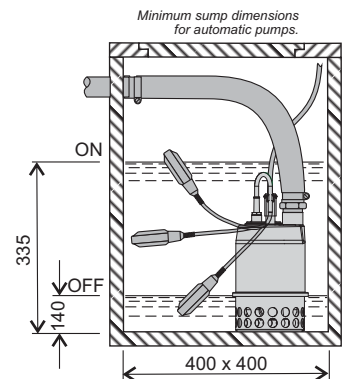
Model **BEST ONE VOX**

Units: mm unless otherwise specified



**Best One Vox MA**  
Automatic Pump  
with Float Switch  
Weight: 4.7 kg

**Best One Vox M**  
Manual  
Pump  
Weight: 4.5 kg



Specifications subject to change without notice